

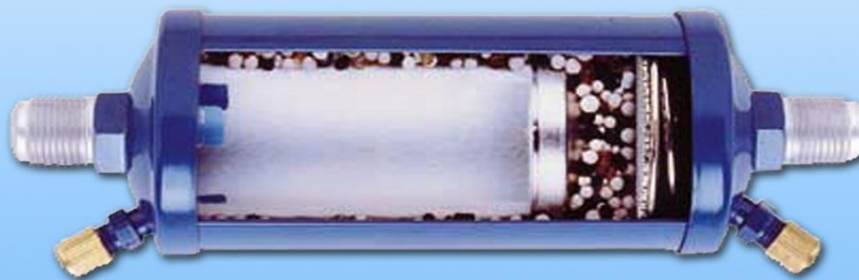


Pendle^o
Refrigeration Wholesale Limited



Carly

Price List 2020

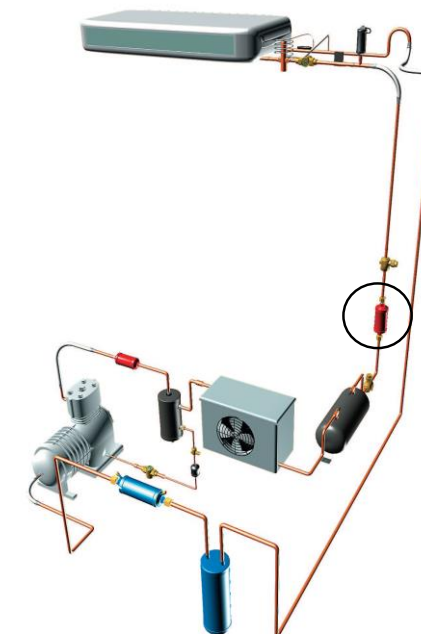


CARLY INDEX

Product Description	Page(s)	Product Description	Page(s)	High Pressure Models for CO ² P6 - Subcritical / P14 - Transcritical	
				Product Description	Page(s)
Anti-Acid Filter Driers <i>DCY, DDCY, DDNCY</i>	3 - 7	Maintenance Products: Carlyclean, Carlyclean-MC, Carlybio, Carlyclim	38	Anti-Acid Filter Driers DCY-P6, DCY-P14	4
Check Valves <i>CRCY</i>	36	Maintenance Products: Carlypro, Carlynet, Carlycoat, Carlysteel, Testoil	39	Filter Drier Shells BCY-P6, BCY-P14	9
Cleaning Cores <i>CCY, PLATINUM 48</i>	12	Maintenance Products: Stopacid, Detectoil, Carlycool, Pompe 5000	40	Line Mufflers SCY-P6, SCY-P14	19
Cleaning Filters <i>FACY, NCY, FNCY</i>	16 - 17	Oil Filters, Driers and Shells <i>HCYF, HCYBF, HYDROIL</i>	32 - 33	Oil Filters HCYF-P6, HCYF-P14	32
Connection Sets <i>KRCY</i>	37	Oil Level Regulators <i>LEVOIL, HCYN1A</i>	34 - 35	Check Valves CRCY-P9 (Up to 90 Bar for CO ² in Subcritical and Transcritical Compression Systems)	36
Differential Valves <i>HCYCT, HCYCTR</i>	31	Oil Receivers <i>HCYR</i>	31		
Dirt Filters <i>FILTRY, FCY</i>	14 - 15	Oil Separators <i>TURBOIL, TURBOIL-F, TURBOIL-R</i>	28 - 30	Dirt Filters FILTRY-P9 (Up to 90 Bar for CO ² in Subcritical and Transcritical Compression Systems)	14
Filter Drier Receiver Units <i>RCY</i>	6	Oil Sight Glasses <i>HCYVP</i>	33		
Filter Drier Shells <i>BDCY, BCY, BBCY, ACY, BACY</i>	7 - 11	Receiver Sight Glasses <i>VCYR</i>	24	Oil Separators TURBOIL - R - P14 High Pressur Oil Separator Receiver - up to 140 Bar	29
Isolation Valves <i>HCYVI</i>	35	Stainless Steel Hoses <i>TSCYS</i>	22		
Line Mufflers <i>SCY</i>	18 - 19	Suction Line Accumulators <i>LCY, LCYE</i>	25 - 26		
Liquid Receivers <i>RLHCY, RLVCY</i>	23 - 24	Vibration Eliminators <i>EVCYAC, EVCYDEAC</i>	20 - 21		
Liquid Sight Glasses <i>VCYL, VCYLS</i>	13	Water Cooled Condensers <i>CONDOR-V, CONDOR-H</i>	27		
Maintenance Products: Carlyloc	37				

DCY RANGE - Anti-Acid Filter Driers

Model	Flare	Solder - S	Connections - ODF	Capacity (kw)				
	List £	List £		R22	R134a	R404A / R507	R407C / R410A	R744 / CO ²
DCY 032	£11.45	-	1/4"	8.0	7.7	5.5	8.2	9.0
DCY 033	£11.45	-	3/8"	22.0	20.0	15.5	22.5	24.6
DCY 052	£14.15	-	1/4"	8.5	8.0	6.0	8.5	9.5
DCY 053	£14.15	-	3/8"	23.0	22.0	16.0	23.5	25.8
DCY 082	£16.85	-	1/4"	9.0	8.5	6.5	9.0	10.1
DCY 083	£16.85	-	3/8"	24.0	23.0	17.0	24.5	26.9
DCY 084	£16.85	-	1/2"	38.0	37.0	30.0	39.5	42.6
DCY 162	£21.55	-	1/4"	9.0	8.5	6.5	9.0	10.1
DCY 163	£21.55	-	3/8"	24.5	24.0	18.0	25.0	27.4
DCY 164	£21.55	-	1/2"	41.5	40.0	32.0	43.0	46.5
DCY 165	£22.93	-	5/8"	68.0	66.0	50.0	70.0	76.2
DCY 302	£37.08	-	1/4"	9.0	8.5	6.5	9.0	10.1
DCY 303	£37.08	-	3/8"	25.0	24.5	18.0	26.0	28.0
DCY 304	£37.08	-	1/2"	45.0	42.0	34.0	46.0	50.4
DCY 305	£37.08	-	5/8"	70.0	68.0	51.0	72.0	78.4
DCY 414	£76.40	-	1/2"	46.0	44.0	36.0	47.0	51.5
DCY 415	£77.65	-	5/8"	72.0	70.0	52.0	74.0	80.6
DCY 755	£139.16	-	5/8"	75.0	73.0	55.0	77.0	84.0
DCY 756	£150.36	-	3/4"	93.0	91.0	65.0	95.0	104.2



Model		Flare	Solder - S	Connections - solder ODF	Capacity (kw)				
		List £	List £		R22	R134a	R404A / R507	R407C / R410A	R744 / CO ²
DCY 032	S / MMS	-	£11.45	1/4" / 6 mm	8.0	7.7	5.5	8.2	9.0
DCY 033	S / MMS	-	£11.45	3/8" / 10 mm	22.0	20.0	15.5	22.5	24.6
DCY 052	S / MMS	-	£14.15	1/4" / 6 mm	8.5	8.0	6.0	8.5	9.5
DCY 053	S / MMS	-	£14.15	3/8" / 10 mm	23.0	22.0	16.0	23.5	25.8
DCY 082	S / MMS	-	£16.85	1/4" / 6 mm	9.0	8.5	6.5	9.0	10.1
DCY 083	S / MMS	-	£16.85	3/8" / 10 mm	24.0	23.0	17.0	24.5	26.9
DCY 084	S / MMS	-	£16.85	1/2" / 12 mm	38.0	37.0	30.0	39.5	42.6
DCY 162	S / MMS	-	£21.55	1/4" / 6 mm	9.0	8.5	6.5	9.0	10.1
DCY 163	S / MMS	-	£21.55	3/8" / 10 mm	24.5	24.0	18.0	25.0	27.4
DCY 164	S / MMS	-	£21.55	1/2" / 12 mm	41.5	40.0	32.0	43.0	46.5
DCY 165	S/MMS	-	£22.93	5/8" - 16 mm	68.0	66.0	50.0	70.0	76.2
DCY 303	S / MMS	-	£37.08	3/8" / 10 mm	25.0	24.5	18.0	26.0	28.0
DCY 304	S / MMS	-	£37.08	1/2" / 12 mm	45.0	42.0	34.0	46.0	50.4
DCY 305	S/MMS	-	£37.08	5/8" - 16 mm	70.0	68.0	51.0	72.0	78.4

DCY Range Anti-acid filter driers for the filtering and drying of refrigerants and acid neutralization for liquid lines of refrigerating and air conditioning installations.

Great drying and acid neutralization capacity at all temperatures. Maximal working pressure 46 bar. Filter driers sizes that ensure interchangeability with most products of the market. Installation possible in all positions.

Options standard flare connections or (s) soldered connections. Standard connections in inches or (mms) connections in millimeters available upon request (s/mms compatible as both). To identify a particular version, simply add the designation to the standard model, eg DCY032S.

FILTERING, DRYING AND DECONTAMINATION - LIQUID LINE

DCY RANGE - Anti-Acid Filter Driers (Continued)

Model	Flare	Solder - S	Connections - solder ODF	Capacity (kw)						
				List £	List £	R22	R134a	R404A / R507	R407C / R410A	R744 / CO ²
DCY 307 S/MMS	-	£37.27	7/8" - 22 mm	-	-	110.0	105.0	18.0	115.0	123.2
DCY 415 S/MMS	-	£77.65	5/8" - 16 mm	-	-	72.0	70.0	52.0	74.0	80.6
DCY 417 S/MMS	-	£106.00	7/8" - 22 mm	-	-	122.0	118.0	85.0	125.0	136.6
DCY 756 S / MMS	-	£150.04	3/4" / 18 mm	-	-	93.0	91.0	65.0	95.0	104.2
DCY 967 S/MMS	-	£176.22	7/8" - 22 mm	-	-	125.0	123.0	91.0	135.0	140.0
DCY 969 S / MMS	-	£194.22	1 1/8" / 28 mm	-	-	126.0	128.0	92.0	148.0	141.1

¹ Refrigerating capacities according to standard ARI 710-86 for To = -15°C, Tk = 30° and Δp = 0.07 bar. See Carly website for other conditions.

² Refrigerating capacities Qn for Tk = -10°C, To = -40°C. See Carly website for other conditions.



DCY-P6 RANGE - High Pressure (64 Bar / 928 psig) range for CO² applications in subcritical operating conditions

Model	Flare	Solder - S	Connections - flare or solder (s/mms) ODF	Capacity (kw)					
				List £	List £	R134a	R404A/ R507/R407F	R407C/R410A	R744/CO ²
DCY-P6 053	-	£35.68	3/8"	-	-	22.0	16.0	23.5	25.8
DCY-P6 053 MMS	-	£35.68	10 mm	-	-	22.0	16.0	23.5	25.8
DCY-P6 053 S	-	£35.68	3/8"	-	-	22.0	16.0	23.5	25.8
DCY-P6 164	-	£46.92	1/2"	-	-	40.0	32.0	43.0	46.5
DCY-P6 164 MMS	-	£46.92	12 mm	-	-	40.0	32.0	43.0	46.5
DCY-P6 164 S	-	£46.92	1/2"	-	-	40.0	32.0	43.0	46.5
DCY-P6 305	-	£59.99	5/8"	-	-	68.0	51.0	72.0	78.4
DCY-P6 305 S/MMS	-	£59.99	5/8" - 16 mm	-	-	68.0	51.0	72.0	78.4

DCY-P6 / 64 bar (928 psig)
Anti-acid filter driers for filtering and drying of refrigerants and acid neutralization for liquid lines of refrigerating and air conditioning installations, running with high working pressures. These driers are compatible with HFC and CO², as well as with their associated oils and additives. They are designed for use of non-hazardous refrigerants from group 2 of PED 97/23/EC. Hermetically sealed outer steel enclosure with paint to ensure a high resistance to corrosion. Filtering at outlet preventing propagation within the circuit of particles bigger than 25 microns, with a very low pressure drop. No desorption, even at a high temperature.

DCY-P6 RANGE - High Pressure (140 Bar / 2030 psig) range for CO² applications in transcritical operating conditions

Model	Flare	Solder - S	Connections - flare or solder (s/mms) ODF	Dehydratable Refrigerant Capacity (kg of refrigerant)
				R744 / CO ² 24°C
DCY-P14 052 S/MMS	-	£251.45	1/4" / 6 mm	5.8
DCY-P14 053 S/MMS	-	£258.64	3/8" / 10 mm	5.8
DCY-P14 163 S/MMS	-	£275.40	3/8" / 10 mm	24.3
DCY-P14 164 S/MMS	-	£282.59	1/2" / 12 mm	24.3
DCY-P14 165 S/MMS	-	£292.17	5/8" / 16 mm	24.3
DCY-P14 304 S/MMS	-	£311.30	1/2" / 12 mm	42.5
DCY-P14 305 S/MMS	-	£320.89	5/8" / 16 mm	42.5
DCY-P14 415 S/MMS	-	£340.07	5/8" - 16 mm	69.2

DCY-14 / 140 bar (2030 psig)
Anti-acid filter driers for filtering and drying of refrigerants and acid neutralization for liquid lines of refrigerating and air conditioning installations, running with high working pressures with CO² in transcritical compression systems. These driers are compatible with CO², as well as its associated oils and additives. They are designed for use of non-hazardous refrigerants from group 2 of PED 97/23/EC. Hermetically sealed outer steel enclosure with paint to ensure a high resistance to corrosion. Filtering at outlet preventing propagation within the circuit of particles bigger than 25 microns, with a very low pressure drop. No desorption, even at a high temperature.



DDCY RANGE - Bi-directional flow and anti-acid filter driers

Model	Flare	Solder (S)	Connections - solder / screw	Capacity (kw) ¹				
	List £	List £		R22	R134a	R404A / R507 / R407F	R407C / R410A	R744
DDCY 082 / 082S	£42.45	£42.45	1/4"	9.0	8.5	6.5	9.0	10.1
DDCY 083 / 083S	£42.45	£42.45	3/8"	24.0	23.0	17.0	24.5	26.9
DDCY 084 / 084S	£42.45	£42.45	1/2"	38.0	37.0	30.0	39.5	42.6
DDCY 163 / 163S	£50.41	£50.41	3/8"	24.5	24.0	18.0	25.0	27.4
DDCY 164 / 164S	£50.41	£50.41	1/2"	41.5	40.0	32.0	43.0	46.5
DDCY 165	£54.39	-	5/8"	68.0	66.0	50.0	70.0	76.2
DDCY 305	£59.69	-	5/8"	70.0	68.0	51.0	72.0	78.4
DDCY 409S	-	£280.97	1 1/8"	161.5	154.5	117.5	169.0	181.0
DDCY 513S	-	£360.70	1 5/8"	313.0	299.0	228.0	327.5	351.0
DDCY 082 MMS	-	£42.45	6 mm	9.0	8.5	6.5	9.0	10.1
DDCY 083 MMS	-	£42.45	10 mm	24.0	23.0	17.0	24.5	26.9
DDCY 084 MMS	-	£42.45	12 mm	38.0	37.0	30.0	39.5	42.6
DDCY 163 MMS	-	£50.41	10 mm	24.5	24.0	18.0	25.0	27.4
DDCY 164 MMS	-	£50.41	12 mm	41.5	40.0	32.0	43.0	46.5
DDCY 165 S/MMS	-	£54.39	5/8" - 16mm	68.0	66.0	50.0	70.0	76.2
DDCY 305 S/MMS	-	£59.69	5/8" - 16mm	70.0	68.0	51.0	72.0	78.4
DDCY 307 S/MMS	-	£59.69	7/8" - 22mm	110.0	105.0	80.0	115.0	123.2
DDCY 411 S/MMS	-	£285.21	1 3/8" - 35 mm	198.0	189.0	144.0	207.0	222.0
DDCY 517 S/MMS	-	£364.20	2 1/8" - 54 mm	432.5	413.0	314.5	452.0	484.5



¹ Refrigerating capacities according to standard ARI 710-86 for To = -15°C, Tk = 30° and Δp = 0.21 bar. See Carly website for other conditions.

DDCY Range

For refrigerant filtering, drying and acid neutralization for refrigerating and air conditioning installation liquid lines with change over in flow direction, including heat pumps, with refrigerating capacity up to 450 Kw.
 Compatible with CFCs, HCFCs, HFCs and CO² as well as with their associated oils and additives. They are designed for use with non-hazardous refrigerants from group 2 of PED 2014/68/EU. Refrigerant flow is possible in both directions and filtering is ensured whichever the direction.
 External steel body hermetically sealed with paint to ensure a high resistance to corrosion.

Options available as standard flared, with screw connections in inches, or **(s)** soldered connections with connections in inches or **(mms)** connections in millimeters available upon request

FILTERING, DRYING AND DECONTAMINATION - LIQUID LINE

DDNCY RANGE - Cleaning bi-directional flow and anti-acid filter driers

(Temporary Use)

Model	Flare	Flare Connections SAE	Capacity (kw) ¹				
	List £		R22	R134a	R404A/R507 /R407F	R407C/R410A	R744 ²
DDNCY 083	£82.99	3/8"	24.0	23.0	17.0	24.5	26.9
DDNCY 164	£126.21	1/2"	41.5	40.0	32.0	43.0	46.5
DDNCY 305	£140.06	5/8"	70.0	68.0	51.0	72.0	78.4



¹ Refrigerating capacities according to standard ARI 710-86 for To = -15°C, Tk = 30° and Δp = 0.07 bar. See Carly website for other conditions.

² Refrigerating capacities Qn for Tk = -10°C, To = -40°C. See Carly website for other conditions.

DDNCY Range Cleaning bi-directional flow and anti-acid filter driers for the cleaning and decontamination of refrigerant circuits in refrigerating and air conditioning installations with change over in flow direction, including heat pumps. Compatible with CFCs, HCFCs, HFCs and CO₂ as well as with their associated oils and additives. They are designed for use with non-hazardous refrigerants from group 2 of PED 2014/68/EU. Refrigerant flow is possible in both directions and filtering is ensured whichever the direction. External steel body hermetically sealed with paint to ensure a high resistance to corrosion. Two shraeder valves for checking pressure drop, which facilitates the monitoring of filter saturation (except model DDNCY 083). Screw connections type SAE made of nickel-plated steel, no desorption, even at high temperatures and easy installation, fitting in the liquid line between the condensing unit and terminal units (evaporators or air conditioning indoor units).

RCY RANGE - Filter drier receiver units

Model	Flare	Solder	Connections - flare or solder (s/mms) ODF	Capacity (kw) ¹				
	List £	List £		R22	R134a	R404A/ R507 /R407F	407C/R410	R744 ²
RCY 502 - 3S	-	£80.11	3/8" - 1/4"	8.0	7.3	5.2	7.9	9.0
RCY 522 S / MMS	-	£93.32	1/4" / 6 mm	8.0	7.3	5.2	7.9	9.0
RCY 523 S / MMS	-	£96.50	3/8" / 10 mm	20.0	18.2	13.0	19.8	22.4
RCY 743 S / MMS	-	£117.82	3/8" / 10 mm	35.0	31.9	22.8	34.7	39.2
RCY 744 S / MMS	-	£123.86	1/2" / 12 mm	38.0	34.6	24.7	37.6	42.6
RCY 924 S / MMS	-	£148.63	1/2" / 12 mm	40.0	36.4	26.0	39.6	44.8
RCY 925 S/MMS	-	£162.23	5/8" - 16mm	42.0	38.2	27.3	41.6	47.0



¹ Refrigerating capacities according to standard ARI 710-86 for To = -15°C, Tk = 30° and Δp = 0.07 bar. See Carly website for other conditions.

² Refrigerating capacities Qn for Tk = -10°C, To = -40°C. See Carly website for other conditions.

RCY Range Filter drier receiver units for refrigerant filtering and drying, and acid neutralization for refrigerating and air conditioning installation liquid lines. The filter driers receivers provide a permanent reserve of dehydrated and filtered refrigerant, for a better supply to the expansion valve whatever the operating conditions. These models are particularly suited to low capacity installations that operate with a thermostatic pressure relief valve and that are equipped with an air-cooled condenser or a plate condenser.

Options available as **(s)** soldered connections with connections in inches or **(mms)** connections in millimeters (**s/mms** compatible as both). To identify a particular

FILTERING, DRYING AND DECONTAMINATION - LIQUID LINE

BDCY RANGE - Replaceable core filter drier shells

Model	Flare List £	Solder List £	Connections - solder ODF	Capacity (kw) ¹					Number of Cores (CCY 42)
				R22	R134a	R404A/ R507 /R407F	407C/R410	R744 ²	
BDCY 424 S / MMS	-	£223.17	1/2" / 12 mm	19.0	17.0	12.0	19.0	22.0	1
BDCY 425 S/MMS	-	£226.79	5/8" - 16mm	27.0	25.0	18.0	27.0	31.0	1
BDCY 427 S/MMS	-	£239.95	7/8" - 22mm	45.0	41.0	29.0	44.0	51.0	1

¹ Refrigerating capacities according to standard ARI 710-86 for To = -15°C, Tk = 30° and Δp = 0.07 bar. See Carly website for other conditions.

² Refrigerating capacities Qn for Tk = -10°C, To = -40°C. See Carly website for other conditions.

BDCY Range Replaceable core filter drier shells for refrigerant filtering and drying and acid neutralization for refrigerating and air conditioning installation lines. These allow the replacement of the filter drier's active parts only.

For liquid line or suction line - please specify upon ordering. Corresponding cores: CCY 42.

Options available as **(s)** soldered connections with connections in inches or **(mms)** connections in millimeters (**s/mms** compatible as both). To identify a



BCY RANGE - Replaceable core filter drier shells (Liquid Line)

Model	Solder List £	Connections - solder ODF	Capacity (kw) ¹					Number of Cores (CCY 48 & Platinum 48)
			R22	R134a	R404A/ R507 /R407F	R407C/R410A	R744 ²	
BCY 485 S/MMS	£155.71	5/8" -16mm	94.0	86.0	61.0	93.0	106.0	1
BCY 487 S/MMS	£155.71	7/8" -22mm	157.0	143.0	102.0	155.0	176.0	1
BCY 489 S / MMS	£155.71	1 1/8" /22 mm	207.0	188.0	135.0	205.0	232.0	1
BCY 4811 S/MMS	£155.71	1 3/8" -35mm	247.0	225.0	161.0	245.0	277.0	1
BCY 4813 S / MMS	£155.71	1 5/8" /42mm	300.0	273.0	195.0	297.0	336.0	1
BCY 4817 S/MMS	£155.71	2 1/8" -54mm	350.0	319.0	228.0	347.0	392.0	1
BCY 967 S/MMS	£173.55	7/8" -22mm	153.0	139.0	100.0	151.0	172.0	2
BCY 969 S / MMS	£173.55	1 1/8" /28mm	235.0	214.0	153.0	233.0	264.0	2
BCY 9611 S/MMS	£173.55	1 3/8" -35mm	334.0	304.0	217.0	331.0	375.0	2
BCY 9613 S / MMS	£173.55	1 5/8" /42 mm	410.0	373.0	267.0	406.0	460.0	2
BCY 9617 S/MMS	£173.65	2 1/8" -54mm	414.0	377.0	269.0	410.0	464.0	2
BCY 1449 S / MMS	£250.02	1 1/8" / 28mm	375.0	341.0	244.0	371.0	420.0	3
BCY 14411 S/MMS	£278.35	1 3/8" -35mm	400.0	364.0	260.0	396.0	448.0	3
BCY 14413 S / MMS	£278.35	1 5/8" /42mm	415.0	378.0	270.0	411.0	465.0	3
BCY 14417 S/MMS	£278.35	2 1/8" -54mm	445.0	405.0	290.0	441.0	499.0	3
BCY 19213 S / MMS	£296.42	1 5/8" /42mm	525.0	478.0	342.0	520.0	588.0	4
BCY 19217 S/MMS	£296.42	2 1/8" -54mm	560.0	510.0	364.0	554.0	628.0	4

BCY Range Replaceable core filter drier shells for refrigerant filtering and drying and acid neutralization for refrigerating and air conditioning installation lines. These allow the replacement of the filter drier's active parts only. **Corresponding cores: CCY 48 and PLATINIUM 48**

Options available as **(s)** soldered connections with connections in inches or **(mms)** connections in millimeters (**s/mms** compatible as both). To identify a particular version, simply add the designation to the standard model, eg BCY489MMS.

FILTERING, DRYING AND DECONTAMINATION - LIQUID LINE

¹ Refrigerating capacities according to standard ARI 710-86 for To = -15°C, Tk = 30° and Δp = 0.07 bar. See Carly website for other conditions.

² Refrigerating capacities Qn for Tk = -10°C, To = -40°C. See Carly website for other conditions.

Please note: For all the models, some are available as either S or MMS and these are shown S / MMS and 1 1/8" / 22 mm for example. Other models combine both options as one product and these are shown a S/MMS AND 1 3/8" - 35 mm for example.

BCY-HP RANGE - Replaceable core filter drier shells (Liquid Line)

Model	Solder List £	Connections - solder ODF	Capacity (kw) ¹					Number of Cores (CCY 48 & Platinum 48)
			R22	R134a	R404A/ R507 /R407F	R407C/R410A	R744 ²	
BCY-HP 485 S/MMS	£163.08	5/8" - 16mm	94.0	86.0	61.0	93.0	106.0	1
BCY-HP 487 S/MMS	£163.08	7/8" - 22mm	157.0	143.0	102.0	155.0	176.0	1
BCY-HP 489 S / MMS	£163.08	1 1/8" /28mm	207.0	188.0	135.0	205.0	232.0	1
BCY-HP 4811 S/MMS	£171.29	1 3/8" -35mm	247.0	225.0	161.0	245.0	277.0	1
BCY-HP 4813 S / MMS	£171.29	1 5/8" /42mm	300.0	273.0	195.0	297.0	336.0	1
BCY-HP 4817 S/MMS	£174.82	2 1/8" -54mm	350.0	319.0	228.0	347.0	392.0	1
BCY-HP 967 S/MMS	£183.04	7/8" - 22mm	153.0	139.0	100.0	151.0	172.0	2
BCY-HP 969 S / MMS	£183.04	1 1/8" /28mm	235.0	214.0	153.0	233.0	264.0	2
BCY-HP 9611 S/MMS	£191.25	1 3/8" -35mm	334.0	304.0	217.0	331.0	375.0	2
BCY-HP 9613 S / MMS	£191.25	1 5/8" /42mm	410.0	373.0	267.0	406.0	460.0	2
BCY-HP 9617 S/MMS	£195.95	2 1/8" -54mm	414	377.0	269.0	410.0	464.0	2



BCY-HP Range Replaceable core filter drier shells for refrigerant filtering and drying and acid neutralization for refrigerating and air conditioning installation lines. These allow the replacement of the filter drier's active parts only. **PS 46 bar - Corresponding**

BCY-P6 High Pressure RANGE - Replaceable core filter drier shells (Liquid Line) - PS 64 bar (928 psig). CO₂ Subcritical.

Model	Solder List £	Connections - solder ODF	Capacity (kw) ¹					Number of Cores (CCY 48 & Platinum 48)
			R134a	R410A	R404A	R507	R744	
BCY-P6 485 S/MMS	£192.54	5/8" -16mm	86.0	93.0	61.0	61.0	106.0	1
BCY-P6 487 S/MMS	£192.54	7/8" -22mm	139.0	151.0	100.0	100.0	171.0	1
BCY-P6 489 S / MMS	£192.54	1 1/8" -28mm	188.0	205.0	135.0	135.0	232.0	1
BCY-P6 4811 S/MMS	£203.56	1 3/8" - 35mm	225.0	245.0	161.0	161.0	277.0	1
BCY-P6 4813 S / MMS	£203.56	1 5/8" -42mm	273.0	297.0	195.0	195.0	336.0	1
BCY-P6 4817 S/MMS	£209.04	2 1/8" -54mm	319.0	347.0	228.0	228.0	392.0	1
BCY-P6 967 S/MMS	£220.06	7/8" -22mm	143.0	155.0	102.0	102.0	176.0	2
BCY-P6 969 S / MMS	£220.06	1 1/8" -28mm	214.0	233.0	153.0	153.0	264.0	2
BCY-P6 9611 S/MMS	£231.05	1 3/8" -35mm	304.0	331.0	217.0	217.0	375.0	2
BCY-P6 9613 S / MMS	£231.05	1 5/8" -42mm	373.0	406.0	267.0	267.0	460.0	2
BCY-P6 9617 S/MMS	£242.07	2 1/8" -54mm	377.0	410.0	269.0	269.0	464.0	2

BCY-P6 Range - CO₂ Subcritical Refrigerant filtering and drying and acid neutralization for refrigerating and air conditioning installation liquid lines running in high working pressures. The replaceable core filter drier shells allow the replacement of the filter drier's active part only. **PS 64 bar (928 psig) - Corresponding**



¹ Refrigerating capacities according to standard ARI 710-86 for To = -15°C, Tk = 30° and Δp = 0.07 bar. See Carly website for other conditions.

² Refrigerating capacities Qn for Tk = -10°C, To = -40°C. See Carly website for other conditions.

BCY-P14 High Pressure RANGE - Replaceable core filter drier shells (Liquid Line) - PS 140 bar (2030 psig). CO² Transcritical.

Model	Solder	Connections - solder ODF	Dehydratable Refrigerant Capacity (kg of refrigerant)		Number of Cores (CCY 48 & Platinum 48)
			List £	R744 / CO ² 24°C	
BCY-P14 485 S/MMS		5/8" -16mm	£1,335.59	34.0	1
BCY-P14 487 S/MMS		7/8" -22mm	£1,335.59	34.0	1
BCY-P14 489 S / MMS		1 1/8" -28mm	£1,335.59	34.0	1
BCY-P14 4811 S/MMS		1 3/8" -35mm	£1,335.59	34.0	1
BCY-P14 4813 S / MMS		1 5/8" -42mm	£1,371.70	34.0	1
BCY-P14 967 S/MMS		7/8" -22mm	£1,371.70	68.0	2
BCY-P14 969 S / MMS		1 1/8" -28mm	£1,371.70	68.0	2
BCY-P14 9611 S/MMS		1 3/8" -35mm	£1,371.70	68.0	2
BCY-P14 9613 S / MMS		1 5/8" -42mm	£1,419.83	68.0	2
BCY-P14 9617 S/MMS		2 1/8" -54mm	£1,509.78	68.0	2

BCY-P14 Range - CO² Transcritical
 Refrigerant filtering and drying and acid neutralization for refrigerating and air conditioning installation liquid lines running in high working pressures with CO² in transcritical compression systems..
 The replaceable core filter drier shells allow the replacement of the filter drier's active part only.
PS 140 bar (2030 psig) - Corresponding cores: CCY 48 and PLATINIUM 48.



BBCY RANGE - Replaceable core filter drier shells

Model	Solder	Connections - solder ODF	Capacity (kw) ¹					Number of Cores (CCY 100)	
			List £	R22	R134a	R404A/ R507 /R407F	R407C/R410A		R744 ²
BBCY 20017 S/MMS		2 1/8" -54mm	£1,418.03	454.0	413.0	195.0	450.0	509.0	2
BBCY 20021 S / MMS		2 5/8" -67mm	£1,455.23	500.0	455.0	325.0	495.0	560.0	2
BBCY 30021 S / MMS		2 5/8" -67mm	£1,679.09	580.0	528.0	377.0	574.0	650.0	3
BBCY 40017 S/MMS		2 1/8" -54mm	£1,791.12	591.0	538.0	385.0	586.0	662.0	4
BBCY 40021 S / MMS		2 5/8" -67mm	£1,828.46	700.0	637.0	456.0	693.0	784.0	4
BBCY 40025 S / MMS		3 1/8" -80mm	£1,865.80	840.0	765.0	547.0	832.0	941.0	4

¹ Refrigerating capacities according to standard ARI 710-86 for To = -15°C, Tk = 30° and Δp = 0.07 bar. See Carly website for other conditions.

² Refrigerating capacities Qn for Tk = -10°C, To = -40°C. See Carly website for other conditions.



BBCY Range Replaceable core filter drier shells for refrigerant filtering and drying and acid neutralization for refrigerating and air conditioning installation lines. These allow the replacement of the filter drier's active parts only. **Corresponding cores: CCY 100**
Options available as (s) soldered connections with connections in inches or (mms) connections in millimeters (s/mms compatible as both). To identify a particular version, simply add the designation to the standard model, eg BBCY20021MMS.

FILTERING, DRYING AND DECONTAMINATION - SUCTION LINE

ACY RANGE - Replaceable core filter shells (Suction Line)

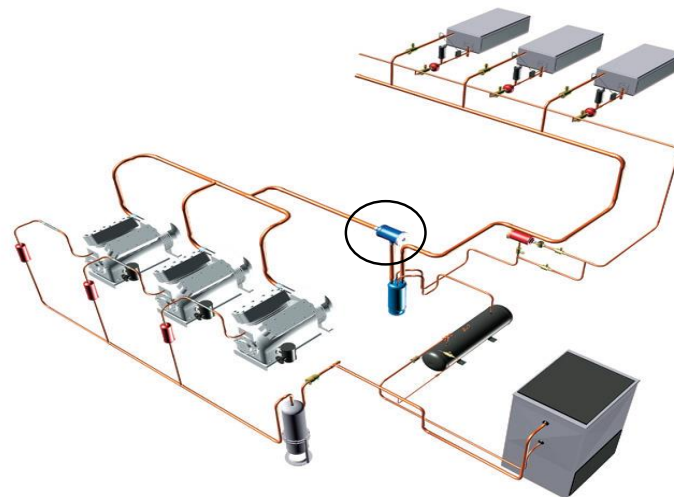
Model	Solder List £	Connections - solder ODF	Capacity (kw) - Temporary Use with CCY 48N - CCY 48F				Capacity (kw) - Permanent Use with CCY 48 I					Number of Cores
			R22 / R407F	R134a	R404A / R507	R407C / R410A	R22 / R407F	R134a	R404A / R507	R407C / R410A	R744 ² / CO ²	
ACY 489 S / MMS	£227.87	1 1/8" /28mm	51.0	46.0	33.0	50.0	83.0	76.0	54.0	83.0	93.0	1
ACY 4811 S/MMS	£238.66	1 3/8" -35mm	60.0	55.0	39.0	60.0	101.0	92.0	66.0	100.0	114.0	1
ACY 4813 S / MMS	£254.70	1 5/8" /42mm	67.0	61.0	44.0	66.0	119.0	108.0	78.0	118.0	134.0	1
ACY 4817 S/MMS	£265.44	2 1/8" -54mm	73.0	67.0	48.0	73.0	144.0	131.0	94.0	142.0	162.0	1
ACY 4821 S / MMS	£329.83	2 5/8" /67mm	80.0	73.0	52.0	79.0	173.0	158.0	113.0	171.0	194.0	1
ACY 4825 S / MMS	£428.82	3 1/8" /80mm	86.0	78.0	56.0	85.0	178.0	162.0	116.0	176.0	200.0	1
ACY 9617 S/MMS	£388.56	2 1/8" -54mm	100.0	91.0	65.0	99.0	176.0	160.0	115.0	174.0	198.0	2
ACY 9621 S / MMS	£444.73	2 5/8" /67mm	103.0	94.0	67.0	102.0	202.0	184.0	131.0	200.0	227.0	2
ACY 9625 S / MMS	£479.76	3 1/8" /80mm	107.0	97.0	70.0	106.0	254.0	231.0	165.0	251.0	285.0	2
ACY 19217 S/MMS	£622.40	2 1/8" -54mm	130.0	119.0	85.0	129.0	214.0	195.0	140.0	212.0	240.0	4
ACY 19221 S / MMS	£696.73	2 5/8" /67mm	135.0	123.0	88.0	134.0	249.0	227.0	162.0	246.0	279.0	4
ACY 19225 S	£771.33	3 1/8"	144.0	131.0	94.0	143.0	313.0	286.0	204.0	311.0	351.0	4
ACY 19225 MMS	£771.33	80 mm	144.0	131.0	94.0	143.0	313.0	286.0	204.0	311.0	351.0	4

¹ Refrigerating capacities according to standard ARI 730-2001 for To = 4.4°C, Tk = 32°. See Carly website for other conditions.

² Refrigerating capacities Qn for Tk = -10°C, To = -40°C. See Carly website for other conditions.

ACY Range Replaceable core filter shells for cleaning, decontamination and protection of refrigerating and air conditioning installation refrigerant circuits. Suction replaceable core filter shells give the possibility to replace only active parts. **Corresponding cores: CCY 48 and PLATINUM 48**

Options available as (s) soldered connections with connections in inches or (mms) connections in millimeters (s/mms compatible as both). To identify a particular version, simply add the designation to the standard model, eg ACY489MMS.

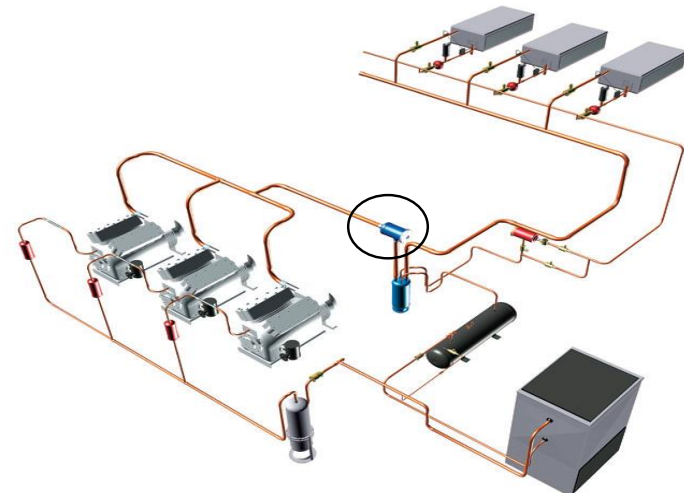


FILTERING, DRYING AND DECONTAMINATION - SUCTION LINE

BACY RANGE - Replaceable core filter shells (Suction Line)

Model	Solder List £	Connections - solder ODF	Capacity (kw) - Temporary Use with CCY 48N - CCY 48F				Capacity (kw) - Permanent Use with CCY 48 I					Number of Cores
			R22 / R407F	R134a	R404A / R507	R407C / R410A	R22 / R407F	R134a	R404A / R507	R407C / R410A	R744 /CO ²	
BACY 10021 S / MMS	£839.65	2 5/8" /67mm	96.0	88.0	63.0	96.0	221.0	202.0	144.0	219.0	248.0	1
BACY 10025 S / MMS	£961.36	3 1/8" /80mm	108.0	99.0	71.0	107.0	230.0	210.0	150.0	228.0	258.0	1
BACY 10029 S / MMS	£1,100.43	3 5/8"/88.9mm	139.0	127.0	91.0	138.0	301.0	274.0	196.0	298.0	338.0	1
BACY 10033 S / MMS	£1,250.56	4 1/8"/108mm	191.0	175.0	124.0	189.0	404.0	368.0	263.0	400.0	453.0	1
BACY 20025 S	£1,492.52	3 1/8"	143.0	130.0	93.0	141.0	313.0	285.0	204.0	310.0	351.0	2
BACY 20029 S / MMS	£1,567.24	3 5/8"/88.9mm	183.0	166.0	119.0	181.0	398.0	363.0	260.0	394.0	446.0	2
BACY 20033 S / MMS	£1,697.76	4 1/8"/108mm	255.0	232.0	166.0	252.0	530.0	482.0	345.0	524.0	594.0	2
BACY 40033 S / MMS	£2,052.37	4 1/8"/108mm	293.0	266.0	191.0	164.0	670.0	610.0	436.0	663.0	751.0	4

BACY Range Replaceable core filter drier shells for cleaning, decontamination and protection of refrigerating and air conditioning installation refrigerant circuits. Suction replaceable core filter shells give the possibility to replace only active parts. **Corresponding cores: CCY 100**
Options available as (s) soldered connections with connections in inches or (mms) connections in millimeters.



FILTERING, DRYING AND DECONTAMINATION - SUCTION LINE

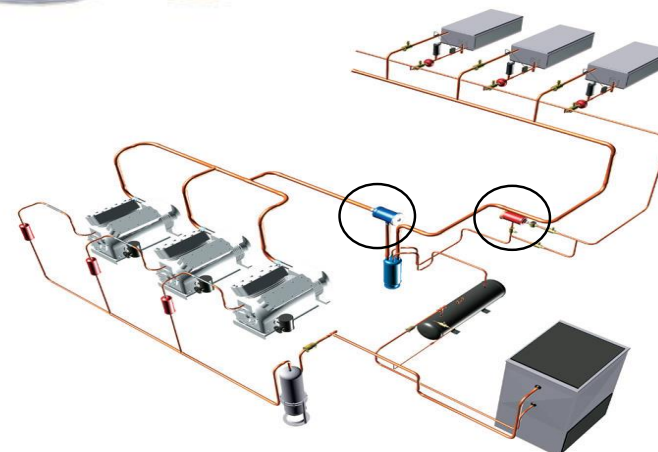
CCY & PLATINIUM 48 RANGE - Drying, filtering and cleaning cores

Model	HP	N	F	I	HU
	List £	List £	List £	List £	List £
CCY 42	£42.52	£74.88	£37.57	£71.54	-
CCY 48	£20.65	£36.99	£29.94	£68.59	£64.44
CCY 100	£85.46	£121.60	£75.87	£114.06	-
PLATINIUM 48	£55.31	-	-	-	-
PLATINIUM 100	£164.49	-	-	-	-

Options:

- > **CCY HP Range** - composed of 2 chemical agents with 50 filtration microns. For permanent use until saturated on liquid lines.
- > **CCY N Range** - composed of 3 chemical agents with 50 filtration microns. For temporary use of 3 days maximum on suction lines.
- > **CCY F Range** - composed of felt with 10 filtration microns. For temporary use of 3 hours maximum on suction lines.
- > **CCY I Range** - composed of stainless steel mesh cloth with 140 filtration microns. For permanent use on suction lines.
- > **CCY HU Range** - composed of filtering cellulose with 30 filtration microns. For permanent use until saturated on oil lines.

To identify a particular version, simply add the designation to the standard model, eg CCY42HP.



CCY and Platinum 48 Range are interchangeable elements for the filter shells (BDCY, BCY, BCY-HP, BBCY, ACY, BACY AND HCYBF) ensuring the filtration, drying or cleaning of the refrigerants and refrigerating oils of the air conditioning and refrigeration installations.

The cartridges CCY HP, PLATINIUM 48 and N:

- > can be used with all the filters shells that can be found on the market.
- > are supplied with a complete set of flange gaskets corresponding to most of the filter shells that can be found on the market.
- > are designed and manufactured to trap with a low pressure drop the humidity and impurities conveyed by the refrigerant and resist against vibrations and the circuit's pressure cyclings.

The cleaning and drying cores CCY HP and N have a high acid adsorption power.

The filtering cartridge CCY 48 HU can be used for all types of refrigerating oils with or without additives.

The CCY I and F cores are efficient whichever the refrigerant flow direction.

Model	Description	List £
CCY A 42	Adapters for CCY HP, N and Platinum for Suction Line	£10.67
CCY A 48		£10.86
CCY A 100		£17.63

SIGHT GLASSES

VCYL RANGE - Liquid sight glasses

Model	Flare	Solder	Connections - SCREW SAE	Connections	
	List £	List £		Male / Male	Female / Male
VCYL 12	£20.10	-	1/4"	X	
VCYL 13	£21.39	-	3/8"	X	
VCYL 14	£24.91	-	1/2"	X	
VCYL 15	£32.45	-	5/8"	X	
VCYL 22	£21.27	-	1/4"		X
VCYL 23	£22.38	-	3/8"		X
VCYL 24	£25.74	-	1/2"		X
VCYL 25	£32.45	-	5/8"		X

Model	Flare List £	Solder List £	Connections - solder ODF	Connections	
				Male / Female	Female / Female
VCYL 32 S / MMS	-	£21.27	1/4" / 6mm		X
VCYL 33 S / MMS	-	£22.38	3/8" / 10mm		X
VCYL 34 S / MMS	-	£25.51	1/2" / 12mm		X
VCYL 35 S/MMS	-	£31.99	5/8" - 16mm		X
VCYL 36 S / MMS	-	£49.25	3/4" / 18mm		X
VCYL 37 S/MMS	-	£52.06	7/8" - 22mm		X
VCYL 39 S / MMS	-	£54.88	1 1/8" / 28mm		X
VCYL 52 S / MMS	-	£25.74	1/4" / 6mm	X	
VCYL 53 S / MMS	-	£26.99	3/8" / 10mm	X	
VCYL 54 S / MMS	-	£29.41	1/2" / 12mm	X	
VCYL 55 S/MMS	-	£34.32	5/8" - 16mm	X	

VCYL Range Liquid sight glasses for immediate and direct monitoring of flow, condition or moisture content of the refrigerant in its liquid or diphasic phase in refrigerating and air conditioning installations.

Options:

> **VCYL12-25** available as flared connections in inches only.

> **VCYL32-54S** available as soldered connections with connections in inches (**s**) or (**mms**) connections in millimeters. (**s/mms** compatible as both). To identify a particular version, simply add the designation to the standard model, eg VCYL32MMS.



VCYLS RANGE - Liquid sight glasses

Model	List £	Soldering onto pipe		Overall length (mm)
		Ø Inch	Ø mm	
VCYLS 5	£33.86	5/8"	16	22
VCYLS 7	£33.86	7/8"	22	22
VCYLS 9	£39.23	1 1/8"	28	20
VCYLS 11	£39.23	1 3/8"	35	19
VCYLS 13	£40.79	1 5/8"	42	19
VCYLS 17	£44.41	2 1/8"	54	18
VCYLS 21	£44.83	2 5/8"	67	17

VCYLS Range Liquid sight glasses for immediate and direct monitoring of flow, condition and moisture content of the refrigerant in its liquid or diphasic phase in refrigerating and air conditioning installations.



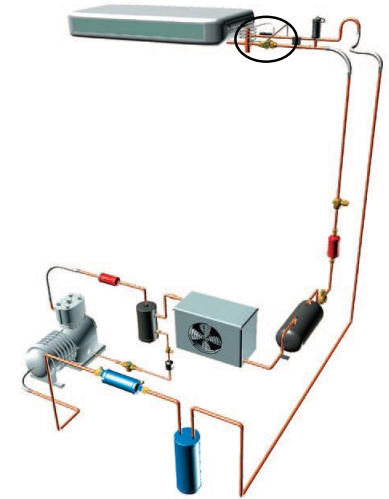
DIRT FILTERS FOR PERMANENT USE - LIQUID LINE

FILTRY RANGE - Dirt filters - Permanent Use - Maximum Working Pressure 46 bar

Model	Flare List £	Solder List £	Connections - solder ODF	cm ² Filter Surface	
FILTRY 3	S / MMS	-	£62.34	3/8" / 10mm	16
FILTRY 4	S / MMS	-	£65.11	1/2" / 12mm	16
FILTRY 5	S / MMS	-	£67.88	5/8" / 15mm	16

FILTRY Range Dirt filters for permanent refrigerant filtering, regulation and expansion element protection in refrigerating and air conditioning installations. These filters are particularly suited for commercial refrigerating applications and installations with important liquid lengths.

Options soldered connections with connections in inches (**s**) or millimeters (**mms**). To identify a particular version, simply add the designation to the standard model, eg FILTRY3MMS.



FILTRY-P9 RANGE - Dirt filters - Permanent Use - Maximum Working Pressure 90 bar (1305 PSIG) CO² Subcritical and Transcritical Compression Systems

Model	Flare List £	Solder List £	Connections - solder ODF	cm ² Filter Surface	
FILTRY-P9 2	S / MMS	-	£112.96	3/4" / 6mm	16
FILTRY-P9 3	S / MMS	-	£112.96	3/8" / 10mm	16
FILTRY-P9 4	S / MMS	-	£112.96	1/2" / 12mm	16
FILTRY-P9 5	S/MMS	-	£112.96	5/8" - 15mm	16

FILTRY Range Dirt filters for permanent refrigerant filtering, regulation and expansion element protection in refrigerating and air conditioning installations. These filters are particularly suited for commercial refrigerating applications and installations with important liquid lengths.

The **FILTRY-P9** range has a maximum working pressure of up to 90 bar (1305 psig) with CO² in subcritical and transcritical compression systems.

In both versions the stainless steel filtrating sleeve can be removed for cleaning without removing the filter case and without de-brazing the connections.



DIRT FILTERS FOR PERMANENT USE - LIQUID LINE

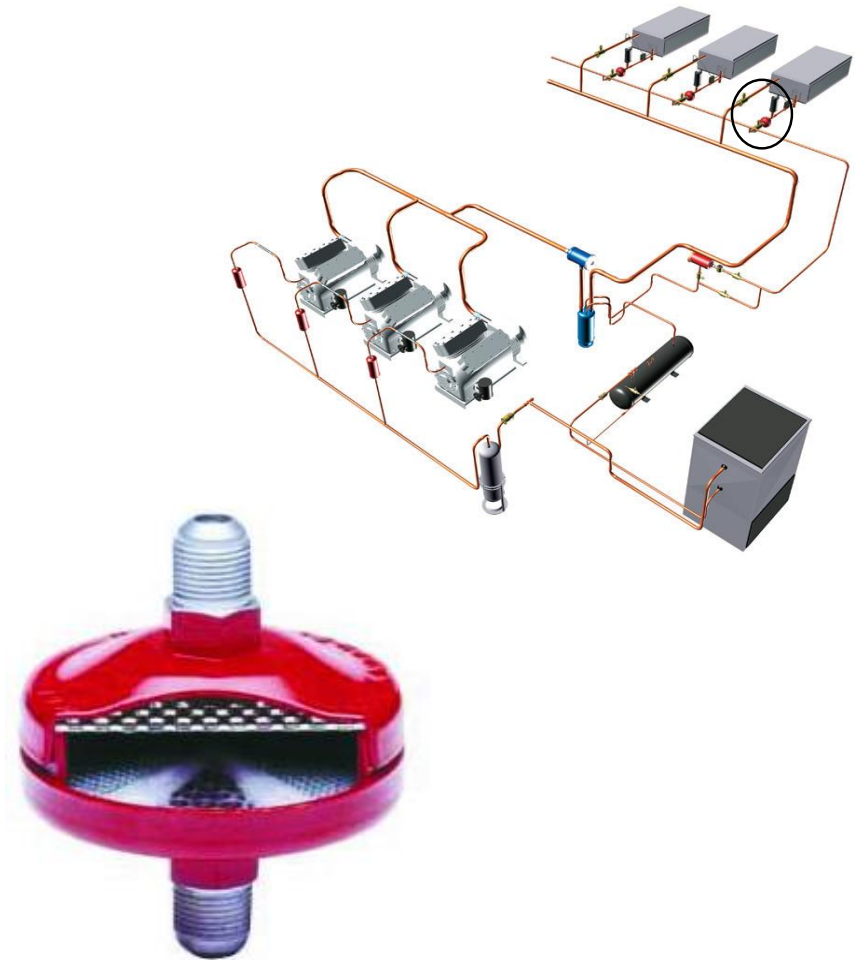
FCY RANGE - Dirt filters

Model	Flare		Connections - Screw / Solder	cm ² Filter Surface	
	List £	Soldered-S List £			
FCY 702	£50.87	-	1/4" Flare	40	
FCY 703	£69.17	-	3/8" Flare	40	
FCY 894	£79.26	-	1/2" Flare	65	
FCY 895	£81.61	-	5/8" Flare	65	
FCY 702	S / MMS	-	£50.87	1/4" / 6mm	65
FCY 703	S / MMS	-	£69.17	3/8" / 10mm	65
FCY 894	S / MMS	-	£79.26	1/2" / 12mm	65
FCY 895	S/MMS	-	£81.61	5/8" - 16mm	65
FCY 896	S / MMS	-	£92.44	3/4" / 18mm	65
FCY 897	S/MMS	-	£93.25	7/8" - 22mm	65
FCY 899	S / MMS	-	£104.84	1 1/8" / 28mm	65
FCY 8911	S/MMS	-	£111.39	1 3/8" - 35mm	65

Model	Flare		Connections - Screw / Solder	cm ² Filter Surface
	List £	Soldered-S List £		
FCY-P6 502	-	£68.98	1/4" SAE	20
FCY-P6 503	-	£77.74	3/8" SAE	20

FCY Range Dirt filters for permanent refrigerant filtering, regulation and expansion element protection in refrigerating and air conditioning installations. Maximum working pressure 46 bar. Compact products for ease of assembly in reduced footing.

Options standard flare connections or **(s)** soldered connections. Standard connections in inches or **(mms)** connections in millimeters available upon request **(s/mms)** compatible as both). To identify a particular version, simply add the



CLEANING FILTERS FOR SUCTION LINE - PERMANENT USE

FACY RANGE - Cleaning filters for suction line with and without automatic bypas

Model	Flare	Solder	Connections - Flare / Solder	Refrigerating Capacity (kw) ¹			
	List £	List £		R134a	R404A / R507	R22 / R407C / R410A / R407F	R744 / CO ₂ ²
FACY 283	£84.54	-	3/8"	5.13	3.67	5.58	6.30
FACY 284	£84.54	-	1/2"	8.55	6.11	9.31	10.50
FACY 285	£84.54	-	5/8"	19.33	13.81	21.03	23.80
FACY 285 S/MMS	-	£88.13	5/8" - 16mm	19.33	13.81	21.03	23.80
FACY 286 S / MMS	-	£91.15	3/4" / 18mm	27.63	19.74	30.06	34.00
FACY 287 S/MMS	-	£92.70	7/8" - 22mm	34.73	24.81	37.78	42.70
FACY 289 S / MMS	-	£96.80	1 1/8" / 28mm	44.31	31.65	48.21	54.50
FACY 489 S / MMS	-	£121.02	1 1/8" / 28mm	52.61	37.58	57.23	64.70
FACY 4811 S/MMS	-	£129.07	1 3/8" - 35mm	63.98	45.70	69.61	78.70
FACY 4813 S / MMS	-	£145.27	1 5/8" / 42mm	69.97	49.98	76.12	86.10

¹ Refrigerating capacities according to standard ARI 730-2001 for To = 4.4°C, Tk = 32°. See Carly website for other conditions.

² Refrigerating capacities Qn for Tk = -10°C, To = -40°C. See Carly website for other conditions.

FACY Range Cleaning filters for suction line for permanent refrigerant filtering, compressor and regulation element protection in refrigerating and air conditioning installations.

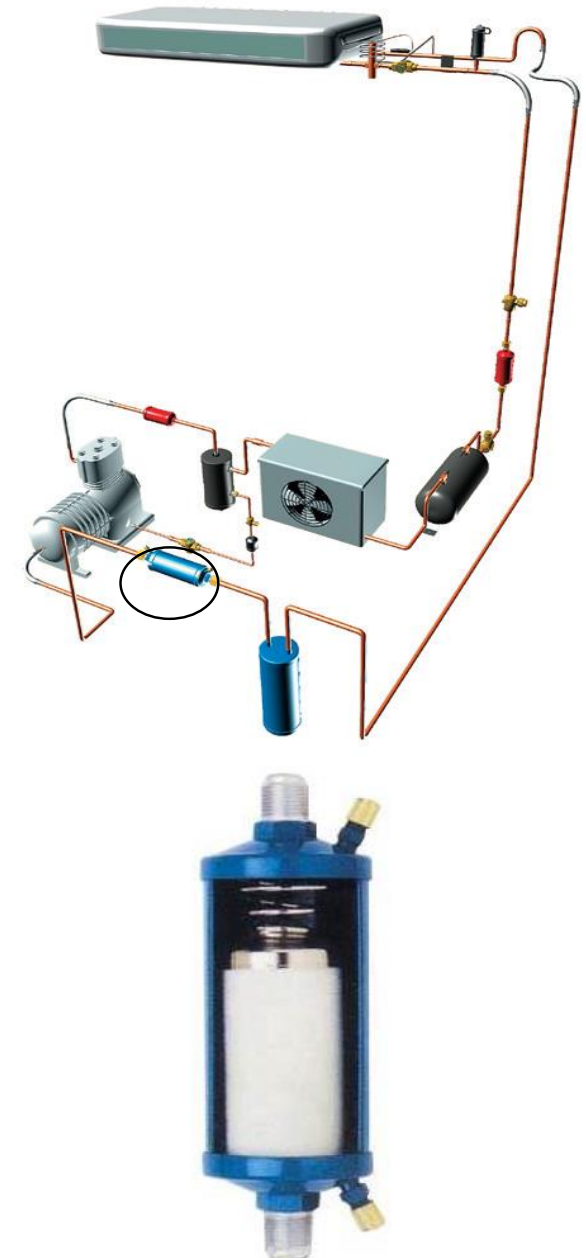
Recommended use after commissioning, during circuit decontamination and refrigerant regeneration operations, and after the burn-out of a compressor.

Particularly recommended for sealed groups, their automatic bypass system prevents a major drop in suction pressure.

Maximum working pressure 46 bar.

Permanent treatment until saturation and regular refrigerant distribution, through a tubular felt core that creates a lower depression than in the connection piping.

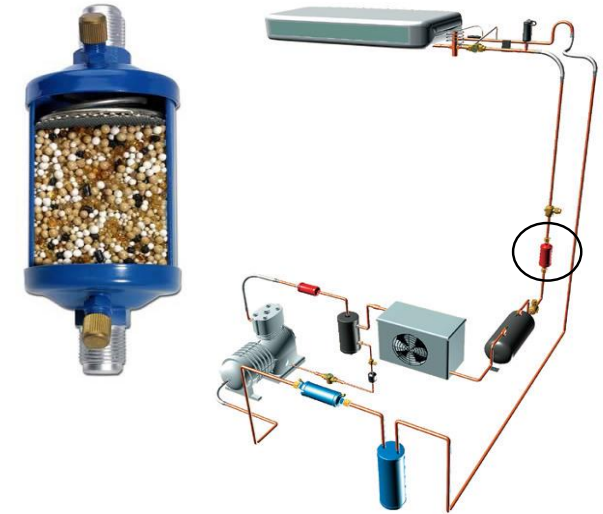
Options: Standard flare connections or **(s)** soldered connections. Standard connections in inches or **(mms)** connections in millimeters **(s/mms)** compatible as both). To identify a particular version, simply add the designation to the standard model, eg FACY286MMS.



CLEANING FILTERS FOR SUCTION LINE - TEMPORARY USE

NCY RANGE - Cleaning filters for suction line - Temporary Use

Model	Flare	Solder	Connections - Flare / Solder	Refrigerating Capacity (kw) ¹			
	List £	List £		R134a	R404A / R507	R22 / R407C / R410A / R407F	R744 / CO ₂ ²
NCY 63	£36.37	-	3/8"	1.4	1.0	1.5	9.1
NCY 63 S / MMS	-	£36.37	3/8" / 10mm	1.4	1.0	1.5	9.1
NCY 73	£70.04	-	3/8"	3.9	2.8	4.3	4.8
NCY 73 S / MMS	-	£77.81	3/8" / 10mm	3.9	2.8	4.3	4.8
NCY 74	£92.86	-	1/2"	5.2	3.7	5.7	6.4
NCY 74 S / MMS	-	£100.58	1/2" / 12mm	5.2	3.7	5.7	6.4
NCY 75	£111.37	-	5/8"	13.1	9.3	14.2	15.9
NCY 75 S/MMS	-	£111.97	5/8" - 16mm	13.1	9.3	14.2	15.9



¹ Refrigerating capacities according to standard ARI 730-2001 for To = 4.4°C, Tk = 32°. See Carly website for other conditions.

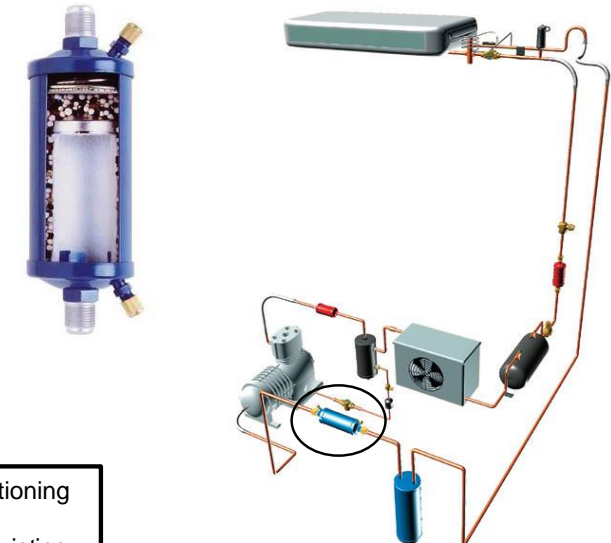
² Refrigerating capacities Qn for Tk = -10°C, To = -40°C. See Carly website for other conditions.

NCY Range Cleaning filters for suction line for cleaning and decontamination of refrigerant circuits in refrigerating and air conditioning installations. **Temporary Uses:** For new installations during start-up period for a very efficient protection of compressors against all types of dirt, or existing installations for an efficient cleaning of the refrigerant after compressor burnout.

Options: Standard flare connections or (s) soldered connections. Standard connections in inches or (mms) connections in millimeters (s/mms compatible as both). To identify a particular version, simply add the designation to the standard model, , eg NCY63S.

FNCY RANGE - Cleaning filters for suction line - Temporary Use / Special Burnout

Model	Flare	Solder	Connections - Flare / Solder	Refrigerating Capacity (kw) ¹			
	List £	List £		R134a	R404A / R507	R22 / R407C / R410A / R407F	R744 / CO ₂ ²
FNCY 283	£121.69	-	3/8"	1.37	0.98	1.49	1.5
FNCY 284	£121.69	-	1/2"	3.98	2.81	4.28	4.4
FNCY 285	£121.69	-	5/8"	6.59	4.7	7.17	7.4
FNCY 285 S/MMS	-	£131.12	5/8" - 16mm	6.59	4.7	7.17	7.4
FNCY 286 S / MMS	-	£135.59	3/4" / 18mm	11.05	7.9	12.02	12.4
FNCY 287 S/MMS	-	£136.65	7/8" - 22mm	17.02	12.16	18.52	19.1
FNCY 489 S / MMS	-	£166.54	1 1/8" / 28mm	21.56	15.4	23.45	24.1
FNCY 4811 S/MMS	-	£196.32	1 3/8" - 35mm	41.91	29.94	45.60	46.9
FNCY 4813 S / MMS	-	£221.14	1 1/5" / 42mm	45.85	32.75	49.88	51.4



¹ and ² the same as for NCY range.

FNCY Range Cleaning filters for suction line for reinforced refrigerant circuits cleaning and decontamination in refrigerating and air conditioning installations.

Temporary Uses: For new installations during start-up period for a very efficient protection of compressors against all types of dirt, or existing installations for an efficient cleaning of the refrigerant after compressor burnout.

SCY RANGE - Discharge line mufflers

Model	Flare	Solder	Connections	Refrigerating Capacity (kw) ¹				
				List £	List £	solder	ODF	R22 / R407F
SCY 30	S / MMS	-	£67.88	3/8" / 10mm	7.0	5.5	8.0	7.5
SCY 40	S / MMS	-	£67.88	1/2" / 12mm	11.5	9.0	14.0	13.5
SCY 50	S/MMS	-	£73.59	5/8" - 16mm	19.0	15.0	22.5	22.0
SCY 60	S / MMS	-	£117.68	3/4" / 18mm	27.5	21.5	32.5	31.5
SCY 70	S/MMS	-	£119.27	7/8" - 22mm	38.5	30.0	45.5	43.5
SCY 90	S / MMS	-	£135.24	1 1/8" / 28mm	60.0	47.0	71.0	68.0
SCY 110	S/MMS	-	£144.58	1 3/8" - 35mm	94.0	73.5	111.0	108.0
SCY 130	S / MMS	-	£173.00	1 5/8" / 42mm	134.0	105.0	160.0	152.0
SCY 170	S/MMS	-	£434.63	2 1/8" - 54mm	229.0	179.5	273.5	260.0
SCY 210	S / MMS	-	£786.04	2 5/8" / 67mm	350.5	274.5	418.5	398.0
SCY 250	S / MMS	-	£928.82	3 1/8" / 80mm	497.5	390.0	594.0	565.0

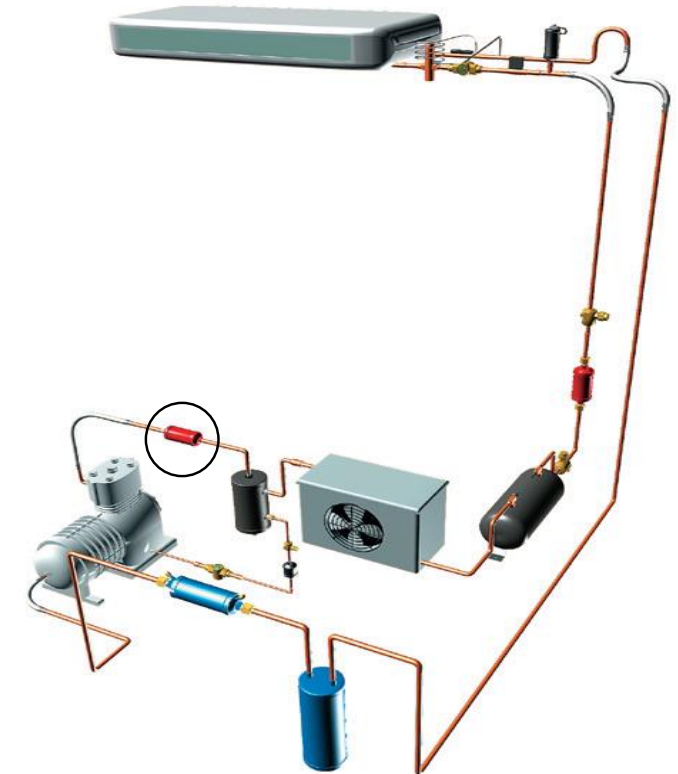
¹ Refrigerating capacities To = 4°C, Tk = 32° and Δp = 0.21 bar. See Carly website for other conditions.

SCY Range Discharge line mufflers for the reduction of noise caused by gas pulses in the discharge lines of refrigerating and air conditioning installations. These pulses generally come from reciprocating compressors or screw compressors.

The mufflers have no effect on the mechanical vibrations transmitted to the pipes by the compressors; this is the role of the vibration eliminators EVCYAC or EVCYDEAC.

MWP 46 bar. Mounting is possible in vertical and horizontal positions with no oil trap whichever position and the refrigerant can flow in both directions.

Options soldered connections with connections in inches (**s**) or millimeters (**mms**), (**s/mms** compatible as both). To identify a particular version, simply add the designation to the standard model, eg SCY30MMS.



SCY RANGE - Discharge line mufflers - 64 Bar (928 psig) - CO₂ Subcritical

Model	Flare	Solder	Connections solder ODF
	List £	List £	
SCY - P6 30 S / MMS	-	£89.29	3/8" / 10mm
SCY - P6 40 S / MMS	-	£95.37	1/2" / 12mm
SCY - P6 50 S/MMS	-	£98.16	5/8" - 16mm
SCY - P6 60 S / MMS	-	£157.02	3/4" / 18mm
SCY - P6 70 S/MMS	-	£160.04	7/8" - 22mm



SCY RANGE - Discharge line mufflers - 140 Bar (2030 psig) - CO₂ Transcritical

Model	Flare	Solder	Connections solder ODF
	List £	List £	
SCY - P14 30 S/MMS	-	£247.88	3/8" / 10mm
SCY - P14 40 S/MMS	-	£257.49	1/2" / 12mm
SCY - P14 50 S/MMS	-	£279.15	5/8" - 16mm
SCY - P14 60 S	-	£298.40	3/4"
SCY - P14 60 MMS	-	£348.94	18 mm
SCY - P14 70 S/MMS	-	£348.94	7/8" - 22mm
SCY - P14 90 S	-	£464.43	1 1/8"
SCY - P14 90 MMS	-	£486.10	28 mm
SCY - P14 110 S/MMS	-	£486.10	1 3/8" - 35mm
SCY - P14 130 S	-	£676.42	1 5/8"



SCY-P6 and SCY-P14 Range - Discharge Line Mufflers for CO₂

SCY-P6: CO₂ Subcritical Systems MWP 64 bar (928 psig)

SCY-P14: CO₂ Transcritical Systems MWP 140 bar (2030 psig)

Discharge line mufflers for the reduction of noise caused by gas pulses in the discharge lines of refrigerating and air conditioning installations running with high working pressures.

These pulses generally come from reciprocating or screw compressors. The mufflers have no effect on the mechanical vibrations transmitted to the pipes by the compressors.

The design allows coverage of a wide range of frequencies and mounting is possible in vertical and horizontal position. There is no oil trap whichever the position and the refrigerant can flow in both directions.

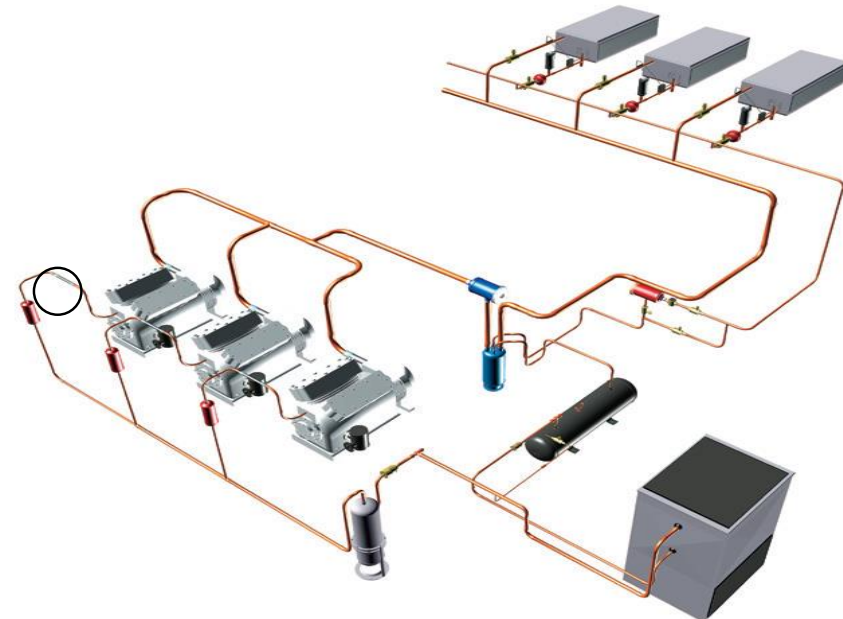
EVCYAC RANGE - Stainless steel vibration eliminators, nickel-plated connections

Model	Flare List £	Solder List £	Connections solder ODF	Overall length (mm)	Maximum working pressure PS (bar)	Working temperature °C	
							EVCYAC 2
EVCYAC 3	S / MMS	-	£30.26	3/8" / 10mm	221	46	-40 to +140
EVCYAC 4	S / MMS	-	£31.64	1/2" / 12mm	242	46	-40 to +140
EVCYAC 5	S / MMS	-	£37.43	5/8" / 15mm	288	46	-40 to +140
EVCYAC 6	S / MMS	-	£51.81	3/4" / 18mm	318	42	-40 to +100
EVCYAC 7	S/MMS	-	£51.81	7/8" - 22mm	318	42	-40 to +100
EVCYAC 9	S / MMS	-	£66.15	1 1/8" / 28mm	360	42	-40 to +100
EVCYAC 11	S/MMS	-	£93.30	1 3/8" - 35mm	406	35	-40 to +120
EVCYAC 13	S / MMS	-	£133.56	1 5/8" / 42mm	472	35	-40 to +120
EVCYAC 17	S/MMS	-	£236.84	2 1/8" - 54mm	560	34	-40 to +120
EVCYAC 21	S / MMS	-	£397.69	2 5/8" / 67mm	670	25	-40 to +120
EVCYAC 25	S / MMS	-	£576.54	3 1/8" / 80mm	760	20	-40 to +120
EVCYAC 29	S / MMS	-	£996.49	3 5/8" / 88.9mm	895	20	-40 to +120
EVCYAC 33	S / MMS	-	£1,202.39	4 1/8" / 108mm	930	20	-40 to +120

EVCYAC Range Stainless steel vibration eliminators, nickel-plated connection for reduction of the mechanical vibrations transmitted by the compressor to the discharge, liquid, suction and oil return lines, and indirectly, of the noises they generate, and elimination of stresses linked with piping thermal expansion in refrigerating and air conditioning installations.

The vibration eliminators have no effect on the reduction of the noises caused by the gas pulsations in the discharge lines. This is the role of the mufflers SCY.

Options soldered connections with connections in inches (**s**) or millimeters (**mms**), (**s/mms** compatible as both). To identify a particular version, simply add the designation to the standard model, eg



NOISE ANNOYANCE AND VIBRATION REDUCTION

EVCYDEAC RANGE - Stainless steel vibration eliminators, nickel-plated connections

Model	Flare List £	Solder List £	Connections solder ODF	Overall length (mm)	Maximum working pressure PS (bar)	Working temperature °C
EVCYDEAC 2 S / MMS	-	£71.40	1/4" / 6mm	270	46	-40 to +140
EVCYDEAC 3 S / MMS	-	£73.68	3/8" / 10mm	340	46	-40 to +140
EVCYDEAC 4 S / MMS	-	£81.15	1/2" / 12mm	360	46	-40 to +140
EVCYDEAC 5 S / MMS	-	£94.36	5/8" / 15mm	420	46	-40 to +140
EVCYDEAC 6 S / MMS	-	£111.44	3/4" / 18mm	462	42	-40 to +100
EVCYDEAC 7 S/MMS	-	£127.13	7/8" - 22mm	480	42	-40 to +100
EVCYDEAC 9 S / MMS	-	£162.81	1 1/8" / 28mm	530	42	-40 to +100
EVCYDEAC 11 S/MMS	-	£242.39	1 3/8" - 35mm	630	35	-40 to +120
EVCYDEAC 13 S / MMS	-	£357.70	1 5/8" / 42mm	750	35	-40 to +120
EVCYDEAC 17 S/MMS	-	£543.32	2 1/8" - 54mm	880	34	-40 to +120
EVCYDEAC 21 S / MMS	-	£905.38	2 5/8" / 67mm	1060	25	-40 to +120
EVCYDEAC 25 S / MMS	-	£1,341.95	3 1/8" / 80mm	1210	20	-40 to +120
EVCYDEAC 29 S / MMS	-	£2,382.96	3 5/8" / 88.9mm	1560	20	-40 to +120
EVCYDEAC 33 S / MMS	-	£2,596.45	4 1/8" / 108mm	1610	20	-40 to +120



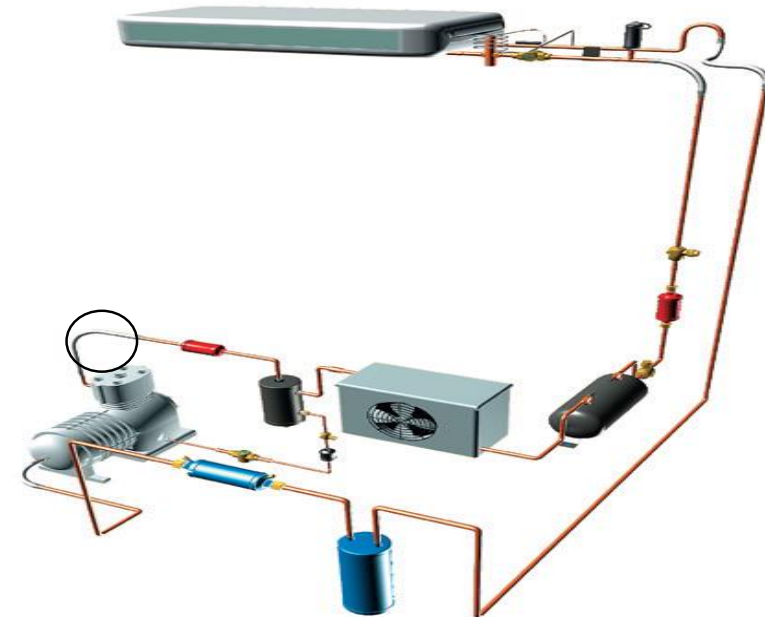
EVCYDEAC Range Stainless steel vibration eliminators, nickel-plated connection for reduction of the mechanical vibrations transmitted by the compressor to the discharge, liquid, suction and oil return lines, and indirectly, of the noises they generate, and elimination of stresses linked with piping thermal expansion in refrigerating and air conditioning installations.

Vibrations generated by a refrigerating compressor propagate in several directions, therefore, it is usually recommended to install two vibration eliminators placed at 90°; the use of EVCYDEAC double-effect vibration eliminators replaces this assembly, because it is possible to bend them at 90°.

The vibration eliminators have no effect on the reduction of the noises caused by the gas pulsations in the discharge lines. This is the role of the mufflers SCY.

Their maximum working pressure (MWP) is 46 bar and they are specifically designed to resist frost and major temperature shifts from -40°C to +140°C.

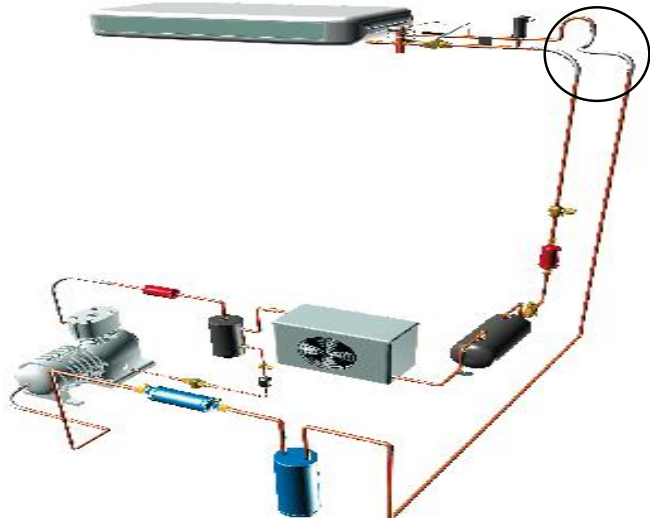
Options soldered connections with connections in inches (**s**) or millimeters (**mms**), (**s/mms** compatible as both).
To identify a particular version, simply add the designation to the



TSCYS RANGE - Stainless steel hoses, nickel-plated connections

Model	Flare	Soldered-S	Connections - Screw SAE	Overall length (mm)	Maximum working pressure PS (bar)	Working temperature °C
	List £	List £				
TSCYS 1002	£129.27	-	1/4"	1000	46	-40 to +140
TSCYS 1003	£135.82	-	3/8"	1000	46	-40 to +140
TSCYS 1004	£137.62	-	1/2"	1000	46	-40 to +140
TSCYS 1005	£144.49	-	5/8"	1000	46	-40 to +140
TSCYS 1502	£168.69	-	1/4"	1500	46	-40 to +140
TSCYS 1503	£171.94	-	3/8"	1500	46	-40 to +140
TSCYS 1504	£172.83	-	1/2"	1500	46	-40 to +140
TSCYS 1505	£187.19	-	5/8"	1500	46	-40 to +140

Model	Flare List £	Solder List £	Connections - Solder ODF	Overall length (mm)	Maximum working pressure PS (bar)	Working temperature °C
TSCYS 1003 S / MMS	-	£135.82	3/8" / 10mm	1000	46	-40 to +140
TSCYS 1004 S / MMS	-	£137.62	1/2" / 12mm	1000	46	-40 to +140
TSCYS 1005 S / MMS	-	£144.49	5/8" / 15mm	1000	46	-40 to +140
TSCYS 1502 S / MMS	-	£168.96	1/4" / 6mm	1500	46	-40 to +140
TSCYS 1503 S / MMS	-	£171.94	3/8" / 10mm	1500	46	-40 to +140
TSCYS 1504 S / MMS	-	£172.83	1/2" / 12mm	1500	46	-40 to +140
TSCYS 1505 S / MMS	-	£187.19	5/8" / 15mm	1500	46	-40 to +140



TSCYS Range Stainless steel hoses, nickel-plated connection for flexible joining between fixed or mobile elements of refrigerating and air conditioning installations.

Disconnection of installation's components, in order to eliminate all vibration transmissions.

Elimination of stresses linked to dimensional piping variations (thermal expansion, retraction).

Particularly recommended for:

- > Construction of mobile refrigerated display
- > Installations requiring the dismantling of removable parts in order to facilitate their cleaning.
- > Any installation, refrigeration or air conditioning, which includes a mobile part.
- > Replacement of the traditional copper piping in particular cases. (operation of brazing difficult to make, time-saving etc.)

Options: Standard models available as flared, screw connections in inches. Also available as soldered connections with connections in inches (**s**) or millimeters (**mms**). To identify a particular version, simply add the designation to the standard

RECEIVERS, SUCTION ACCUMULATORS AND WATER COOLED CONDENSERS

RLHCY RANGE - Liquid receivers - HORIZONTAL

Model	List £	Connections		Volume (Litres)	Maximum working pressure PS (bar)	Maximum working temperature TS oC
		Outside conn. To flare UNF	Inside conn. To solder			
RLHCY 15	£153.11	3/4"	1/4"	1.6	46	100
RLHCY 25	£155.85	3/4"	3/8"	2.8	46	100
RLHCY 30	£183.44	3/4"	3/8"	3.1	46	100
RLHCY 45	£333.75	3/4"	3/8"	4.4	46	100
RLHCY 60	£350.30	1"	1/2"	6.0	46	100
RLHCY 75	£371.00	1"	1/2"	7.6	46	100
RLHCY 90	£490.96	1"	1/2"	9.1	46	100
RLHCY 120	£508.91	1 1/4"	5/8"	11.4	46	100
RLHCY 150	£582.00	1 1/4"	3/4"	15.0	46	100
RLHCY 200	£655.91	1 1/4"	3/4"	20.0	46	100
RLHCY 250	£668.33	1 1/4"	3/4"	25.0	46	100
RLHCY 300	£896.05	1 1/4"	3/4"	30.0	45	100
RLHCY 400	£988.35	1 3/4"	1 1/8"	40.0	45	100
RLHCY 500	£1,194.81	1 3/4"	1 1/8"	50.0	45	100
RLHCY 600	£1,447.32	1 3/4"	1 1/8"	60.0	42	100
RLHCY 700	£1,524.37	1 3/4"	1 1/8"	70.0	42	100

RLHCY Range Horizontal liquid receivers ensure the compensation of refrigerant volume variations in refrigerating and air conditioning installations.

These volume variations are due to fluctuations generated by various operating temperatures at various seasons, and to the opening and closing sequences of the expansion valve, which fills - or not- the evaporator with its refrigerant.

Liquid receivers also allow storage of the whole installation's refrigerant, for maintenance or breakdown service.

MWP from 42 to 46 bar and they offer a choice of connections:

- Outside of the connections to screw (flare)
- Inside of the connections to braze (solder)



RECEIVERS, SUCTION ACCUMULATORS AND WATER COOLED CONDENSERS

RLVCY RANGE - Liquid receivers - VERTICAL

Model	List £	Connections		Volume (L)	Max. press. PS (bar)	Max. working temp. TS °C
		Outside conn. Flare	Inside conn. To solder			
RLVCY 09	£73.11	3/4"	1/4"	1.0	46	100
RLVCY 15	£76.68	3/4"	1/4"	1.6	46	100
RLVCY 20	£96.55	3/4"	1/4"	1.8	46	100
RLVCY 25	£100.70	3/4"	3/8"	2.8	46	100
RLVCY 30	£112.82	3/4"	3/8"	3.1	46	100
RLVCY 40	£135.15	3/4"	3/8"	4.2	46	100
RLVCY 45	£171.01	3/4"	3/8"	4.4	45	100
RLVCY 60	£176.52	1"	1/2"	6.0	46	100
RLVCY 75	£260.67	1"	1/2"	7.6	46	100
RLVCY 90	£324.90	1"	1/2"	9.2	46	100
RLVCY 120	£398.59	1 1/4"	5/8"	11.5	46	100
RLVCY 150	£481.33	1 1/4"	3/4"	15.7	45	100
RLVCY 200	£644.07	1 1/4"	3/4"	20.9	45	100
RLVCY 250	£839.90	1 1/4"	3/4"	25.0	45	100
RLVCY 300	£954.82	1 1/4"	3/4"	29.6	42	100
RLVCY 400	£989.46	1 3/4"	1 1/8"	40.0	42	100
RLVCY 500	£1,134.98	1 3/4"	1 1/8"	50.0	42	100
RLVCY 600	£1,193.18	1 3/4"	1 1/8"	60.0	42	100
RLVCY 700	£1,542.39	1 3/4"	1 1/8"	70.0	42	100



RLVCY Range Vertical liquid receivers ensure the compensation of refrigerant volume variations in refrigerating and air conditioning installations.

These volume variations are due to fluctuations generated by various operating temperatures at various seasons, and to the opening and closing sequences of the expansion valve, which fills - or not- the evaporator with its refrigerant.

Liquid receivers also allow storage of the whole installation's refrigerant, for maintenance or breakdown service.

VCYR RANGE - Receiver sight glasses

Model	List £	Maximum working pressure PS (bar)	Maximum working temperature TS °C
VCYR32	£67.14	46	120
VCYR-W32	£71.84	46	120



VCYR Range Receiver sight glasses for immediate and direct monitoring of level of refrigerant in its liquid phase or refrigerating oil in refrigerating and air conditioning installations.

In addition, the VCYR-W allows the monitoring of the moisture content in the refrigerant.

These level sight glasses are to be positioned directly on the receivers' body or on the piping.

RECEIVERS, SUCTION ACCUMULATORS AND WATER COOLED CONDENSERS

LCY RANGE - Suction line accumulators without Heat Exchanger

Model	Flare	Solder	Connections solder ODF	Volume (L)	Capacity of Accumulator of refrigerant at 30°C (kg)			
					R134a / R407C	R22 / R407F	R410A / R404A / R507	R744
LCY 04 S / MMS	-	£73.59	1/2" / 12mm	0.9	0.8	0.8	0.7	0.4
LCY 14 S / MMS	-	£79.49	1/2" / 12mm	1.5	1.4	1.4	1.2	0.7
LCY 15 S/MMS	-	£85.51	5/8" - 16mm	1.5	1.3	1.3	1.1	0.7
LCY 16 S / MMS	-	£85.28	3/4" / 18mm	1.5	1.3	1.3	0.7	0.7
LCY 25 S/MMS	-	£114.82	5/8" - 16mm	2.3	2.1	2.1	1.8	1.1
LCY 26 S / MMS	-	£117.77	3/4" / 18mm	2.3	2.1	2.1	1.8	1.1
LCY 27 S/MMS	-	£116.48	7/8" - 22mm	2.3	2.0	2.0	1.7	1.1
LCY 47 S/MMS	-	£106.73	7/8" - 22mm	3.3	2.8	2.8	2.4	1.5
LCY 49 S / MMS	-	£165.11	1 1/8" / 28mm	4.2	3.6	3.6	3.1	1.9
LCY 69 S / MMS	-	£241.59	1 1/8" / 28mm	5.8	4.8	4.8	4.1	2.6
LCY 89 S / MMS	-	£224.23	1 1/8" / 28mm	7.5	6.6	6.6	5.6	3.5
LCY 611 S/MMS	-	£264.68	1 3/8" - 35mm	5.7	4.6	4.6	3.9	2.4
LCY 811 S/MMS	-	£284.29	1 3/8" - 35mm	7.3	6.2	6.2	5.3	3.3
LCY 813 S / MMS	-	£298.42	1 5/8" / 42mm	7.3	5.9	5.9	5.1	3.1
LCY 1011 S/MMS	-	£258.82	1 3/8" - 35mm	9.2	8.1	8.1	6.9	4.3
LCY 1013 S / MMS	-	£262.67	1 5/8" / 42mm	9.2	7.7	7.7	6.6	4.1
LCY 1517 S/MMS	-	£853.18	2 1/8" - 54mm	15.2	12.3	12.3	10.5	6.5
LCY 1817 S/MMS	-	£758.11	2 1/8" - 54mm	20.2	17.4	17.4	15.0	9.3
LCY 3617 S/MMS	-	£1,251.09	2 1/8" - 54mm	35.4	27.2	27.2	23.3	14.5
LCY 3621 S / MMS	-	£1,311.82	2 5/8" / 67mm	35.6	26.0	26.0	22.3	13.8
LCY 3625 S / MMS	-	£1,437.04	3 1/8" / 80mm	35.9	24.6	24.6	21.1	13.1
LCY 5021 S / MMS	-	£1,562.70	2 5/8" / 67mm	50.6	42.0	42.0	36.1	22.4
LCY 5025 S / MMS	-	£1,595.10	3 1/8" / 80mm	50.9	39.9	39.9	34.3	21.2
LCY 7025 S / MMS	-	£1,823.20	3 1/8" / 80mm	70.9	59.1	59.1	50.7	31.4
LCY 7029 S / MMS	-	£1,985.74	3 5/8" / 88.9mm	71.2	56.7	56.7	48.6	30.1



LCY Range Suction line accumulators for the elimination of risks linked to the return of refrigerant in its liquid phase and to the massive oil intake at compressor's suction of refrigerating and air conditioning installations.

The LCY suction line accumulators are particularly recommended for installations that are:

- > exposed to sudden thermal load variations
- > whose piping lengths are important
- > operating with cycle inversions.

Options: Available as soldered connections with connections in inches (**s**) or millimeters (**mms**), (**s/mms** compatible as both). To identify a particular version, simply add the designation to the standard model, eg LCY04SMMS.

LCYE RANGE - Suction line accumulators with Heat Exchanger

Model	Flare	Solder	Connections solder ODF	Volume (L)	Capacity of Accumulator (kg of refrigerat at 30°C)				
					R134a / R407C	R22 / R407F	R410A / R404A / R507	R744	
LCYE 25	S / MMS	-	£150.82	5/8" / 16mm	2.3	2.1	2.1	1.8	1.1
LCYE 26	S / MMS	-	£154.03	3/4" / 18mm	2.3	2.1	2.1	1.8	1.1
LCYE 47	S / MMS	-	£186.20	7/8" / 22mm	3.2	2.8	2.8	2.4	1.5
LCYE 69	S / MMS	-	£351.82	1 1/8" / 28mm	5.8	4.8	4.8	4.1	2.6
LCYE 811	S/MMS	-	£388.81	1 3/8" - 35mm	7.3	6.2	6.2	5.3	3.3
LCYE 1013	S / MMS	-	£412.37	1 5/8" / 42mm	9.1	7.7	7.7	6.6	4.1
LCYE 1517	S/MMS	-	£1,078.95	2 1/8" - 54mm	15.2	12.3	12.3	10.5	6.5
LCYE 3621	S / MMS	-	£2,126.74	2 5/8" / 67mm	35.6	26.0	26.0	22.3	13.8
LCYE 3625	S / MMS	-	£2,211.90	3 1/8" / 80mm	35.0	24.6	24.6	21.1	13.1

LCYE Range Suction line accumulators for the elimination of risks linked to the return of refrigerant in its liquid phase and to the massive oil intake at compressor/s suction of refrigerating and air conditioning installations.

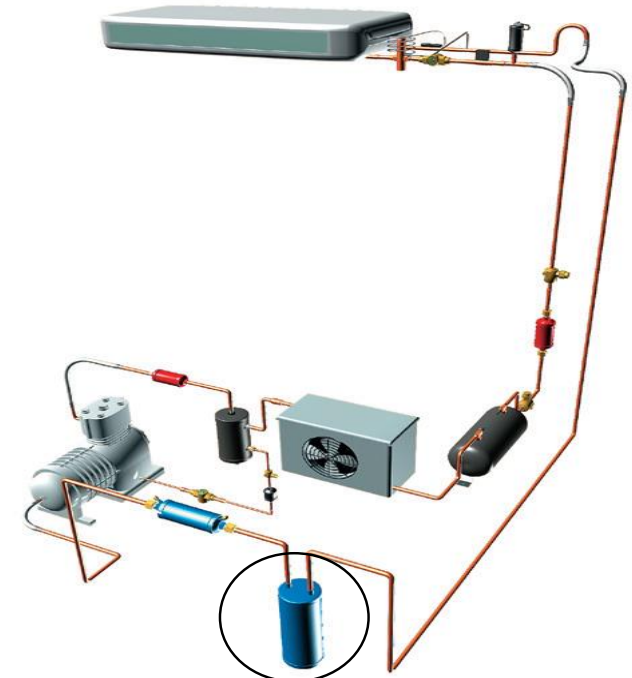
The LCYE are particularly recommended for installations:

- > with a low overheating of refrigerant vapours at compressor suction.
- > where the suction line accumulator is positioned outside (in this case the exchanger allows a faster re-evaporation of the liquid).

Options:

Available as soldered connections with connections in inches (**s**) or millimeters (**mms**), (**s/mms** compatible as both).

To identify a particular version, simply add the designation to the standard model, eg



RECEIVERS, SUCTION ACCUMULATORS AND WATER COOLED CONDENSERS

CONDOR-H RANGE - Water cooled condensers with liquid receiver - HORIZONTAL

Model	List £	Connections - Liquid Outlet		Volume (L)	Maximum working pressure PS (bar)	Maximum working temperature TS °C
		Outside conn. To flare UNF	Inside conn. To solder			
CONDOR-H150	£337.23	3/4"	3/8"	3.4	46	120
CONDOR-H250	£352.40	3/4"	3/8"	3.2	46	120
CONDOR-H500	£490.32	3/4"	3/8"	5.8	46	120
CONDOR-H750	£551.69	3/4"	3/8"	4.0	46	120
CONDOR-H1000	£780.65	3/4"	3/8"	7.4	46	120

CONDOR-V RANGE - Water cooled condensers with liquid receiver - VERTICAL

Model	List £	Connections - Liquid Outlet		Volume (L)	Maximum working pressure PS (bar)	Maximum working temperature TS °C
		Outside conn. To flare UNF	Inside conn. To solder			
CONDOR-V100	£268.60	3/4"	3/8"	2.6	46	120
CONDOR-V150	£343.52	3/4"	3/8"	3.4	46	120
CONDOR-V240	£377.47	3/4"	3/8"	3.2	46	120
CONDOR-V500	£473.61	3/4"	3/8"	7.4	46	120
CONDOR-V1000	£614.98	1"	1/2"	8.9	46	120
CONDOR-V1400	£629.11	1"	1/2"	3.2	46	120
CONDOR-V2500	£1,194.60	1 1/4"	5/8"	15.1	45	120

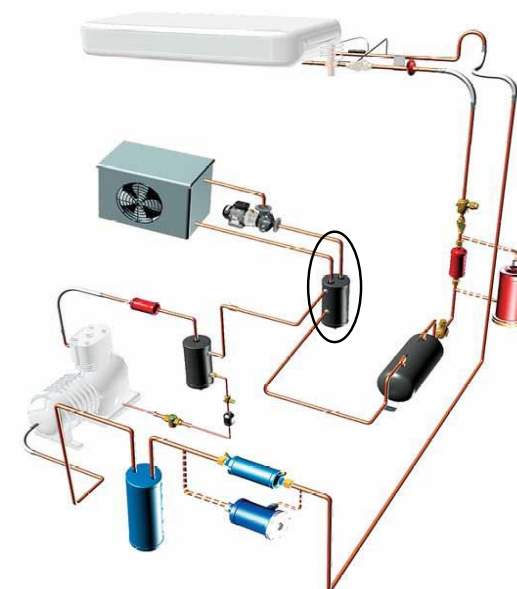
CONDOR Range Water cooled condensers with liquid receiver ensure cooling, condensation and storage of refrigerant in refrigerating and air conditioning installations.

They also allow storage of the refrigerant, in order to compensate volume variations due to opening and closing sequences of the expansion valve.

In CO₂ subcritical installations, they can be used as a liquid receiver with exchanger to keep temperature and pressure stable.

Heat exchange is carried out by a water circulation inside a very high performance finned copper tubing coil.

Energy recovery: The use of a water cooled condenser CONDOR allows to heat with lower costs water circulating in the exchanger.



OIL REGULATION SYSTEM

TURBOIL RANGE - Oil separators

Model	Flare	Solder	Connections solder ODF	Volume (L)	Maximum working pressure PS (bar)	Maximum working temperature TS °C
	List £	List £				
TURBOIL 1503 S / MMS	-	£201.64	3/8" / 10mm	1.72	46	120
TURBOIL 1504 S / MMS	-	£253.66	1/2" / 12mm	1.86	46	120
TURBOIL 2505 S/MMS	-	£260.16	5/8" - 16mm	1.97	46	120
TURBOIL 3006 S / MMS	-	£292.70	3/4" / 18mm	2.12	46	120
TURBOIL 3007 S/MMS	-	£292.70	7/8" - 22mm	2.33	46	120
TURBOIL 3009 S / MMS	-	£305.68	1 1/8" / 28mm	2.54	46	120
TURBOIL 3011 S/MMS	-	£318.68	1 3/8" - 35mm	3.28	46	120
TURBOIL 6009 S / MMS	-	£403.24	1 1/8" / 28mm	2.87	46	120
TURBOIL 6011 S/MMS	-	£422.76	1 3/8" - 35mm	3.64	46	120
TURBOIL 7011 S/MMS	-	£435.76	1 3/8" - 35mm	4.16	46	120
TURBOIL 8013 S / MMS	-	£442.26	1 5/8" / 42mm	5.77	46	120
TURBOIL 9017 S/MMS	-	£572.32	2 1/8" - 54mm	5.83	46	120

TURBOIL Range Oil separators for the separation and recovery of the oil carried by the refrigerant in vapour phase at compressor outlet of refrigerating and air conditioning installations.

The TURBOIL oil separators limit the amount of oil within the circuit, thus allowing increasing the performances of the heat exchangers and prevent abnormal wear, even the breakage of compressors by lack of oil.

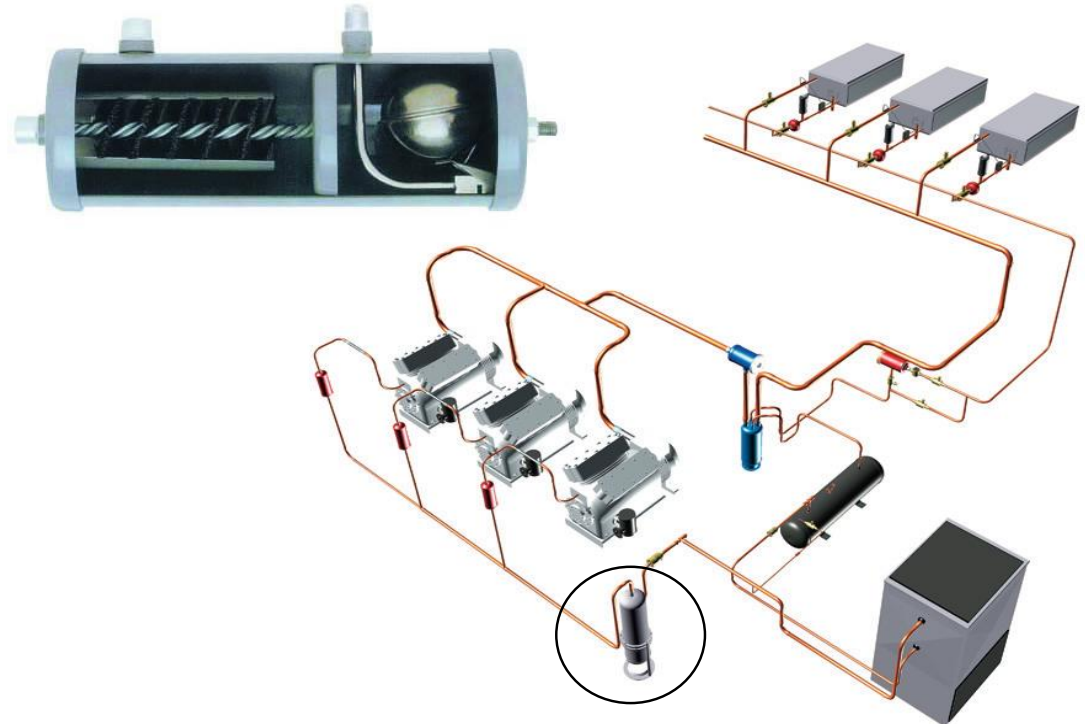
They must be used in applications where the return of oil through the suction is not guaranteed: facilities with long pipes, oil traps, with evaporation temperatures lower than -5°C, with compressors in parallel, or with variable speed, for systems with multiple compressor stages in cascade, flood, booster etc.

They ensure a regulated oil return to the compressor crankcase and participate by their position on the circuit, in the reduction of the vibrations generated by the compressors and sound level of the discharge gas.

Options:

Available as soldered connections with connections in inches (**s**) or millimeters (**mms**) (**s/mms** compatible as both).

To identify a particular version, simply add the designation to the



OIL REGULATION SYSTEM

TURBOIL-F RANGE - Oil separators

Model	Flare	Solder	Connections solder ODF	Volume (L)	Maximum working pressure PS (bar)	Maximum working temperature TS °C
	List £	List £				
TURBOIL F 2505 S/MMS	-	£383.74	5/8" - 16mm	2.29	46	120
TURBOIL F 3007 S/MMS	-	£464.89	7/8" - 22mm	2.62	46	120
TURBOIL F 3009 S / MMS	-	£487.80	1 1/8" / 28mm	2.82	46	120
TURBOIL F 3011 S/MMS	-	£520.30	1 3/8" - 35mm	3.56	46	120
TURBOIL F 7011 S/MMS	-	£572.32	1 3/8" - 35mm	5.00	33	120
TURBOIL F 8013 S / MMS	-	£845.50	1 5/8" / 42mm	6.00	33	120
TURBOIL F 9017 S/MMS	-	£1,008.10	2 1/8" - 54mm	6.00	33	120
TURBOIL F15013S / MMS	-	£1,191.52	1 5/8" / 42mm	11.50	45	120
TURBOIL F 15017 S/MMS	-	£1,191.52	2 1/8" - 54mm	13.20	45	120
TURBOIL F 15021S / MMS	-	£1,560.92	2 5/8" / 67mm	13.40	45	120
TURBOIL F 30025S / MMS	-	£1,568.74	3 1/8" / 80mm	13.50	45	120

Flanged



TURBOIL-F Range Oil separators for the separation and recovery of the oil carried by the refrigerant in vapour phase at compressor outlet of refrigerating and air conditioning installations.

The TURBOIL oil separators limit the amount of oil within the circuit, thus allowing increasing the performances of the heat exchangers and prevent abnormal wear, even the breakage of compressors by lack of oil.

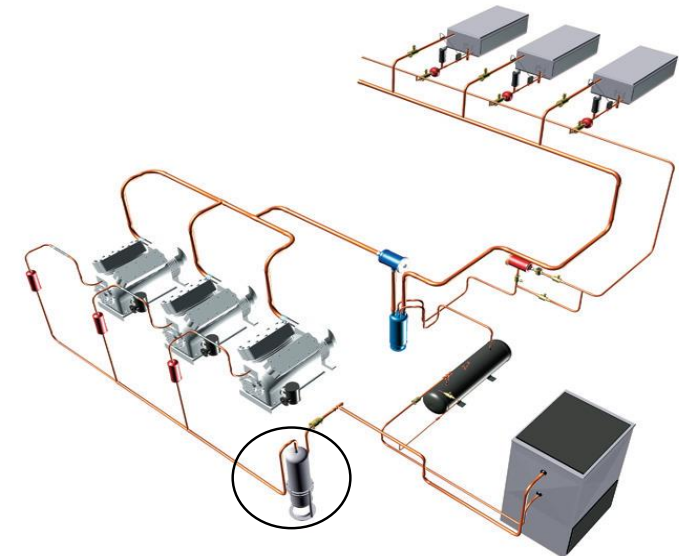
They must be used in applications where the return of oil through the suction is not guaranteed: facilities with long pipes, oil traps, with evaporation temperatures lower than -5°C, with compressors in parallel, or with variable speed, for systems with multiple compressor stages in cascade, flood, booster etc.

They ensure a regulated oil return to the compressor crankcase and participate by their position on the circuit, in the reduction of the vibrations generated by the compressors and sound level of the discharge gas.

Options:

Available as soldered connections with connections in inches (**s**) or millimeters (**mms**) (**s/mms** compatible as both).

To identify a particular version, simply add the designation to the standard model, eg TURBOIL1503SMMS.



TURBOIL - R - P14 RANGE - High Pressure (140 Bar) Oil Separator Receiver

Model	Flare	Solder	Connections solder ODF
	List £	List £	
TURBOIL - R - P14 103 S	-	£843.38	3/8" - 10mm
TURBOIL - R - P14 205 S	-	£992.20	5/8" - 16mm
TURBOIL - R - P14 207 S	-	£1,066.62	7/8" - 22mm
TURBOIL - R - P14 309 S	-	£1,488.30	1 1/8"
TURBOIL - R - P14 411 S	-	£2,678.94	1 3/8" - 35mm
TURBOIL - R - P14 813 S	-	£3,026.22	1 5/8"

OIL REGULATION SYSTEM

TURBOIL-R RANGE - Oil separator

Model	Flare	Solder	Connections solder ODF	Volume (L)	Maximum working pressure PS (bar)	Maximum working temperature TS °C
	List £	List £				
TURBOIL R 22505 S/MMS	-	£429.26	1 1/8" / 28mm	3.5	46	120
TURBOIL R 23007 S/MMS	-	£466.07	7/8" - 22mm	3.5	46	120
TURBOIL R 23009 S / MMS	-	£472.20	1 1/8" / 28mm	3.9	46	120
TURBOIL R 23011 S/MMS	-	£478.33	1 3/8" - 35mm	3.9	46	120
TURBOIL R 47009 S / MMS	-	£784.93	1 1/8" / 28mm	7.2	46	120
TURBOIL R 47011 S/MMS	-	£797.33	1 3/8" - 35mm	7.2	46	120
TURBOIL R 48013 S / MMS	-	£849.63	1 5/8" / 42mm	8.5	46	120
TURBOIL R 49017 S/MMS	-	£941.15	2 1/8" - 54mm	8.5	46	120
TURBOIL R 77011 S/MMS	-	£875.76	1 3/8" - 35mm	10.5	46	120
TURBOIL R 78013 S / MMS	-	£947.70	1 5/8" / 42mm	11.8	46	120
TURBOIL R 79017 S/MMS	-	£1,071.85	2 1/8" - 54mm	11.8	46	120
TURBOIL R 127011 S/MMS	-	£993.42	1 3/8" - 35mm	15.5	46	120
TURBOIL R 128013S/ MMS	-	£1,045.69	1 5/8" / 42mm	16.9	46	120
TURBOIL R 129017 S/MMS	-	£1,124.12	2 1/8" - 54mm	16.9	46	120
TURBOIL R 815017 S/MMS	-	£1,568.41	2 1/8" - 54mm	16.9	45	120
TURBOIL R 815021S/ MMS	-	£1,926.92	2 5/8" / 67mm	17.0	45	120
TURBOIL R 830025S/ MMS	-	£1,941.85	3 1/8" / 80mm	17.0	45	120
TURBOIL R 1217 S/MMS	-	£1,770.40	2 1/8" - 54mm	21.4	45	120
TURBOIL R 1221 S / MMS	-	£2,178.09	2 5/8" / 67mm	21.5	45	120
TURBOIL R 1225 S / MMS	-	£2,194.85	3 1/8" / 80mm	21.7	45	120



TURBOIL-R Range Oil separators for the separation and recovery of the oil carried by the refrigerant in vapour phase at compressor outlet of refrigerating and air conditioning installations. The TURBOIL-R oil separators receiver limit the amount of oil within the circuit, thus allowing increasing the performances of the heat exchangers and prevent abnormal wear, even the breakage of compressors by lack of oil.

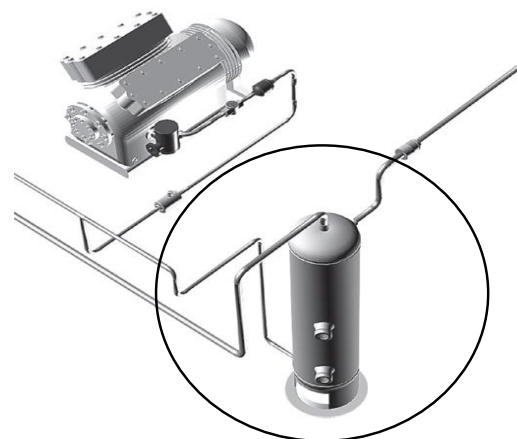
They must be used in applications where the return of oil through the suction is not guaranteed: facilities with long pipes, oil traps, with evaporation temperatures lower than -5°C, with compressors in parallel, or with variable speed, for systems with multiple compressor stages in cascade, flood, booster etc.

They ensure a regulated oil return to the compressor crankcase and participate by their position on the circuit, in the reduction of the vibrations generated by the compressors and sound level of the discharge gas.

The choice of the oil separators receivers **TURBOIL-R** avoids the assembly of a separate oil receiver.

Options: Available as soldered connections with connections in inches (**s**) or millimeters (**mms**) (**s/mms** compatible as both).

To identify a particular version, simply add the designation to the standard model, eg TURBOILR23009SMMS.

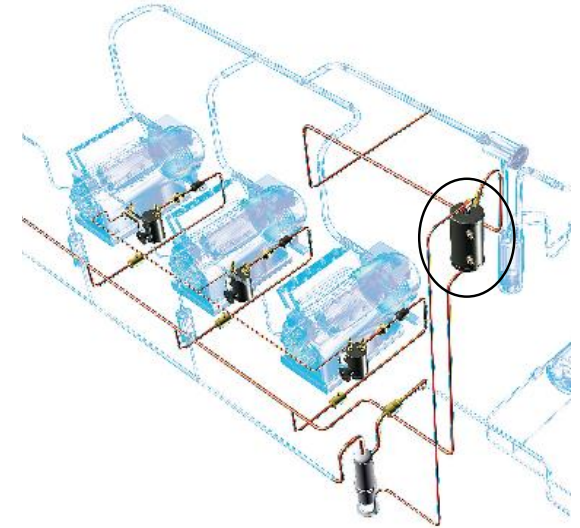


OIL REGULATION SYSTEM

HCYR RANGE - Oil receivers

Model	List £	Volume (L)	Maximum working pressure PS (bar)	Maximum working temperature TS °C
HCYR 40	£371.85	3.9	46	120
HCYR 80	£412.53	7.7	46	120
HCYR 81	£431.08	7.4	46	120
HCYR 120	£530.56	12.0	46	120
HCYR 121	£557.06	11.2	46	120
HCYR 150	£570.38	15.0	46	120
HCYR 200	£913.33	20.0	45	120
HCYR 300	£1,510.54	30.0	33	120

HCYR Range Oil receivers for storage of the oil repared from the refrigerant by the oil separator(s) of refrigerating and air conditioning installations. This oil is then re-distributed to the compressor sumps, by means of LEVOIL mechanical or electronic oil level regulators.



HCYCT / HCYCTR RANGE - Differential valves for oil receivers

Model	List £	Connections to screw SAE		Pressure range (bar)	Maximum working temperature TS °C
		Outlet Male	Inlet Female		
HCYCT 1	£51.47	3/8"	3/8"	0.35	120
HCYCT 3	£51.47	3/8"	3/8"	1.40	120
HCYCT 4	£61.77	3/8"	3/8"	3.50	120
HCYCT 7	£80.85	3/8"	3/8"	7.00	120
HCYCTR	£127.41	3/8"	3/8"	0.35 -3.5	120

HCYCT / HCYCTR Range Differential valves for oil receivers are used on low pressure oil return systems of refrigerating and air conditioning installation. They are mounted on oil receivers in which they maintain a permanent overpressure compared to the compressor crankcase in order to ensure them a constant oil distribution, this is the guarantee of a regular and permanent oil reintegration. Therefore, the oil which is returned to the compressor crankcases is free from refrigerant as, should any refrigerant come from the oil separator, it would be expanded in the oil receiver and drained out to the suction line via the differential valves.

Options:

- > **HCYCT** - non adjustable
- > **HCYCTR** - adjustable



OIL REGULATION SYSTEM

HCYF RANGE - Oil filter

Model	Flare List £	Solder List £	Connections	Maximum working pressure PS (bar)	Maximum working temperature TS °C
HCYF 52	£53.33	-	1/4"	46	120
HCYF 53	£53.33	-	3/8"	46	120
HCYF 53 S / MMS	-	£55.33	3/8" / 10 mm	46	120
HCYF 83	£99.96	-	3/8"	46	120
HCYF 84	£99.96	-	1/2"	46	120

HCYF Range Oil filtering on the oil return line to the compressor sumps of refrigerating and air conditioning installations. These filters are required for the good operation of oil level regulators and compressors. It protects them from any contaminants that could damage them (metallic chips, filings, oxides, sludge etc.)

HCYF - P6 RANGE - Oil filter - 64 bar (928 psig) CO² Subcritical

Model	Flare List £	Solder List £	Connections	Maximum working pressure PS (bar)	Maximum working temperature TS °C
HCYF-P6 52	£108.99	-	1/4"	64	120
HCYF-P6 53	£108.99	-	3/8"	64	120
HCYF-P6 53 S / MMS	-	£108.99	3/8" / 10 mm	64	120
HCYF-P6 83	£205.98	-	3/8"	64	120
HCYF-P6 84	£205.98	-	1/2"	64	120

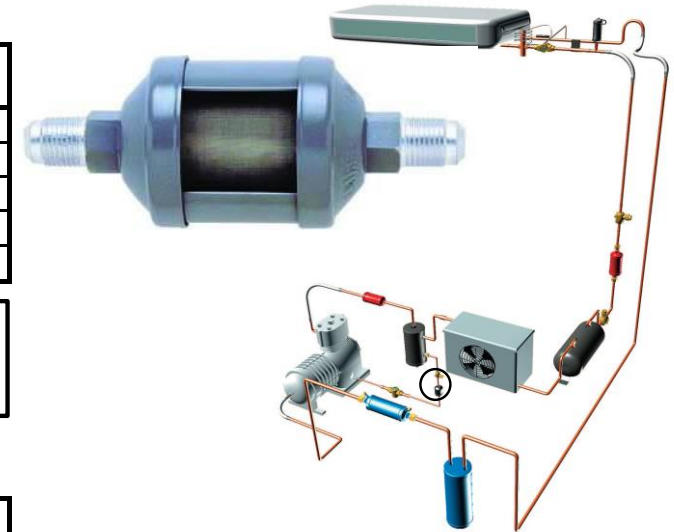
HCYF - P14 RANGE - Oil filter - 140 bar (2030 psig) CO² Transcritical

Model	Flare List £	Solder List £	Connections	Maximum working pressure PS (bar)	Maximum working temperature TS °C
HCYF-P14 52	£305.61	-	1/4"	140	120
HCYF-P14 52 S/MMS	-	£305.61	1/4" - 6 mm	140	120
HCYF-P14 53	£310.43	-	3/8"	140	120
HCYF-P14 53 S/MMS	-	£310.43	3/8" / 10 mm	140	120

HCYF Oil Filters Oil filtering on the oil return line to the compressor sumps of refrigerating and air conditioning installations, running in high working pressures. These filters are required for the good operation of oil level regulators and compressors. It protects them from any contaminants that could damage them (metallic chips, filings, oxides, sludge etc.)

P6 Range - Maximum working pressure up to 64 bar with CO² in subcritical compression systems.
Very large filtering surface areas for very low pressure drop.
Presence of a permanent magnet located at the inlet of the filter, ensuring the immediate 'trapping' of all steel particles.

P14 Range - Maximum working pressure up to 140 bar with CO² in transcritical compression systems.
Very large filtering surface areas for very low pressure drop.
Automatic bypass of the internal filter when it is too dirty and when the pressure drop generated exceeds 3 bar to ensure the continuity of compressor lubrication even if filter maintenance is late.



OIL REGULATION SYSTEM

HCYBF RANGE - Core oil filter shells

Model	Flare List £	Solder List £	Connections	Maximum working pressure PS (bar)	Maximum working temperature TS °C
HCYBF 485 S/MMS	-	£427.65	5/8" - 16 mm	35	100
HCYBF 486 N	£470.45	-	3/4" NPT	35	100
HCYBF 486 S	-	£427.65	3/8"	35	100

HCYBF Range Oil filtering on the oil return line to the compressor sumps of high capacity refrigerating and air conditioning installations. These filters are essential for the proper functioning of oil level regulators and protects the compressors from contaminants that could damage them (metallic chips, filings, oxides, sludge etc.) They allow the replacement of the oil filters' active parts only and are recommended for the oil return lines of screw compressors and of centrifuge compressors.



HYDROIL RANGE - Filter drier for polyol-ester oils (POE)

Model	List £	Connections screw SAE	Volume	Maximum working pressure PS (bar)	Maximum working temperature TS °C
HYDROIL163	£124.32	3/8"	0.7	46	120

HYDROIL Range Filter drier for continuous filtration and dehydration of polyol-ester oils (POE), on the oil return line to the compressors crankcases, present in the refrigerating and air conditioning installations. HYDROIL is a safety component for refrigerating compressors, because when the quantity of water contained in the oil is not controlled, the esters transform by hydrolysis into alcohol and fatty acids (soaps), likely to block the smallest orifices and to cause the compressor burnout.



HCYVP RANGE - Oil sight glasses

Model	Flare List £	Solder List £	Connections	Maximum working pressure PS (bar)	Maximum working temperature TS °C
HCYVP 23	£60.22	-	3/8"	42	120
HCYVP 43	£50.15	-	3/8"	42	120
HCYVP 53 S / MMS	-	£50.15	3/8" / 10 mm	42	120

HCYVP Range Oil sight glasses for immediate visual check of the oil presence and aspect in the oil lines of refrigerating and air conditioning installations.



OIL REGULATION SYSTEM

LEVOIL RANGE - Mechanical oil level regulators and adapters

Model	List £	Connections screw SAE	Type of connection	Pressure range (bar)	Maximum working temperature TS °C
LEVOIL 22	£197.20	1/4"	7 holes Ø6.5mm	1 - 4.5	120
LEVOIL 23	£197.20	3/8"	7 holes Ø6.5mm	1 - 4.5	120
LEVOIL 23 BO	£283.49	3/8"	1" 1/8-18 UNEF	1 - 4.5	120
LEVOIL 23 SC	£228.01	3/8"	3/4" NPTF	1 - 4.5	120
LEVOIL 23 SC2	£228.01	3/8"	1" 3/4-12 UNF	1 - 4.5	120
LEVOIL 23 SU	£285.79	3/8"	1" 1/4-12 UNF	1 - 4.5	120
LEVOIL 33 RE	£314.30	3/8"	7 holes Ø6.5mm	1 - 6.5	120

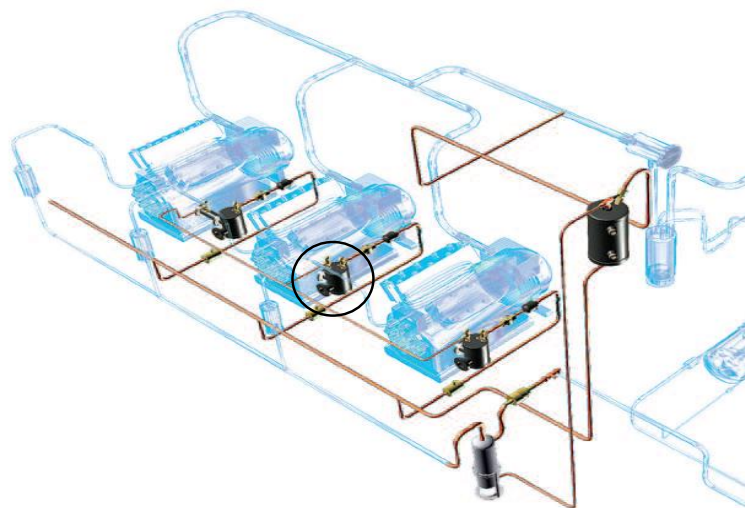
LEVOIL Range Mechanical oil level regulators and adapters for monitoring and automatic upholding of the optimal oil level in the crankcase of each compressor of refrigeration and air conditioning multi-compressors installations.

The oil level regulators LEVOIL participate in the return of the oil into the compressors and to their proper functioning; they are only used in low pressure oil return systems.

They allow the installation of compressors at unequal heights or different level of oil. They also allow on the same installation, the connection in parallel of compressors with different cooling capacities or operating at different regimes.

Options:

- > **LEVOIL23 BO** - LEVOIL 23 with octagon fitting
- > **LEVOIL23 SC** - LEVOIL 23 with scroll fitting
- > **LEVOIL23 SC2** - LEVOIL 23 with summit fitting
- > **LEVOIL33 RE** - Adjustable oil regulator



OIL REGULATION SYSTEM

HCYN1A RANGE - Mechanical oil level regulators and adapters

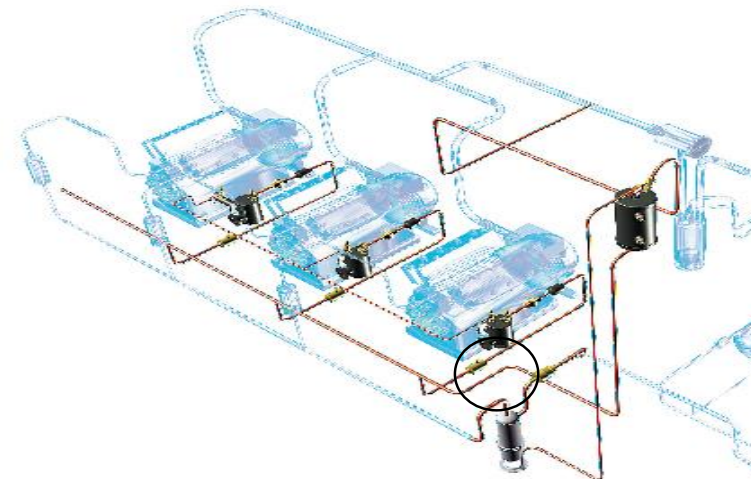
Model	List £	Features of compressor connection (sight glass)	Maximum working pressure PS (bar)	Maximum working temperature TS °C
HCYN1A 2	£123.14	Threads 1 1/8" - 12	46	120
HCYN1A 3	£107.03	3 screws 1/4" diameter 47.6	46	120
HCYN1A 5	£145.85	4 screws 1/4" diameter 50	46	120
HCYN1A 7	£132.64	Threads 1 1/2" - 18	46	120
HCYN1A 9	£127.45	4 screws 1/4" 90° diameter 50	46	120
HCYN1A 10	£115.33	Threads 1 1/8" - 18	46	120
HCYN1A 11	£116.53	Threads 3/4" NPT	46	120
HCYN1A 14	£126.88	1 3/4 - 12 UNF ROTALOCK	46	120
HCYN1A 15	£126.32	1 1/4 - 12 UNF ROTALOCK	46	120
HCYN 1EGA	£68.75	4 screws 1/4" diameter 50 3 screws 1/4" diameter 47.6	46	120

HCYN1A Range Mechanical oil level regulators and adapters allow connection of CARLY oil level regulators when it is not possible to connect the universal 7 holes flange directly on the compressors sight glass flange.

HCYVI RANGE - Isolation valves for oil level regulators

Model	List £	Connections screw SAE	Nominal Diameter	Maximum working pressure PS (bar)	Maximum working temperature TS °C
HCYVI 2	£59.16	1/4"	1/4"	46	120
HCYVI 3	£59.16	3/8"	3/8"	46	120
HCYVI 3H	£59.16	3/8"	3/8"	46	120

HCYVI Range Isolation valves for LEVOIL oil level regulators of refrigerating and air conditioning installations, in order to facilitate the oil line maintenance operations.



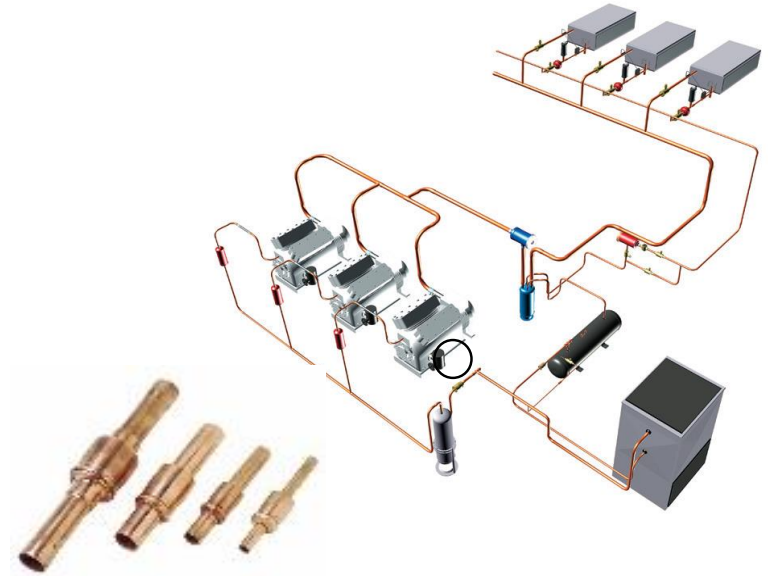
REFRIGERATING VALVES

CRCY RANGE - Check valves

Model		Flare	Solder	Connections	$\Delta P^{(2)}$ bar	kv ⁽³⁾ m ³ /h	Nominal Diameter mm
		List £	List £				
CRCY 2	S / MMS	-	£37.57	1/4" / 6mm	0.06	0.69	6
CRCY 3	S / MMS	-	£45.70	3/8" / 10mm	0.06	1.75	10
CRCY 4	S / MMS	-	£48.84	1/2" / 12mm	0.05	3.27	12
CRCY 5	S/MMS	-	£55.43	5/8" - 16mm	0.05	3.64	16
CRCY 6	S / MMS	-	£81.40	3/4" / 18mm	0.03	6.93	18
CRCY 7	S/MMS	-	£107.72	7/8" - 22mm	0.03	7.5	22

CRCY Range Check valves to ensure a one-way direction of the refrigerant flow, in refrigerating and air conditioning installations. They can be mounted on the liquid, suction, discharge or hot gases defrost line to prevent unwanted return of refrigerant.

Options: Available as soldered connections with connections in inches (**s**) or millimeters (**mms**) (**s/mms** compatible as both). To identify a particular version, simply add the designation to the standard model, eg CRCY2SMMS.



CRCY-P9 RANGE - Check Valves for High Pressure Applications 90 Bar (1305 psig)

Model		Flare	Solder	Connections	$\Delta P^{(2)}$ bar	kv ⁽³⁾ m ³ /h
		List £	List £			
CRCY - P9 2	S / MMS	-	£63.33	1/4" / 6mm	0.06	0.69
CRCY - P9 3	S / MMS	-	£63.33	3/8" / 10mm	0.06	1.75
CRCY - P9 4	S / MMS	-	£69.42	1/2" / 12mm	0.05	3.27
CRCY - P9 5	S/MMS	-	£69.42	5/8" - 16mm	0.05	3.64

CRCY-P9 Range Check valves to ensure a one-way direction of the refrigerant flow in refrigerating and air conditioning installations running with high working pressures.

They can be mounted on the liquid, suction, discharge or hot gases defrost line, to prevent unwanted return of refrigerant. Key features are:

- Maximum working pressure up to 90 bar with CO₂ in subcritical and transcritical compression system.

The check valves can be installed in all positions.

- They are equipped with an internal pulse absorber piston, with PTFE gasket.
- Pressure drops are negligible.
- Perfect air tightness ensured by a TIG brass weld of the body.
- Because of their reduced weight, the CRCY-P9 check valves require no specific fixing.



REFRIGERATING CONNECTIONS

KRCY RANGE - Connection sets

Model	Flare to Solder		Connections	Connections screw SAE	Nominal Diameter	Nominal Diameter mm
	List £					
KRCY 2	S / MMS	£3.90	1/4" / 6mm	1/4"	1/4"	6
KRCY 3	S / MMS	£5.60	3/8" / 10mm	3/8"	3/8"	10
KRCY 4	S / MMS	£6.85	1/2" / 12mm	1/2"	1/2"	12
KRCY 5	S/MMS	£9.96	5/8" / 16mm	5/8"	5/8"	16
KRCY 6	S / MMS	£23.46	3/4" BSP	3/4"	3/4"	18
KRCY 23	S / MMS	£6.64	3/8" / 1/4"	6mm	1/4"	6
KRCY 34	S / MMS	£9.40	1/2" / 3/8"	12mm/10mm	3/8"	10

KRCY Range Connection sets can be used with all line components equipped with SAE connections to screw, in refrigerating and air conditioning installations. They ensure perfect air-tightness, even after several replacements of components, and facilitate maintenance conditions.

Options: Available as soldered connections with connections in inches (**s**) or millimeters (**mms**). (**s/mms** compatible as both). To identify a particular version, simply add the designation to the standard model, eg KRCY2SMMS.

1 x **KRCY** consists of 1 dudgeon, 1 nut and 1 taper copper gasket.



MAINTENANCE PRODUCTS

CARLYLOC RANGE - Refrigerant leak detectors

Model	List £	Packaging	Packaging Unit	Volume (litres)	Unit weight kg
CARLYLOC	£7.93	Aerosol	12	0.4	0.52
CARLYLOC-500	£15.53	Atomiser	15	0.5	0.57
CARLYLOC-5000	£63.32	Can	2	5	5.4
CARLYLOC-25000	£295.75	Can	1	25	26

CARLYLOC Range Special designed for leaks of refrigerants and natural gas (CO₂, Ammonia, Nitrogen ...) provides fast leak detection forming bubbles. Adheres to all surfaces and the practical aerosol is usable in all positions (360°). The new formulation can be used on cold surfaces up to -20°C). Ready to use.



MAINTENANCE PRODUCTS

CARLYCLEAN RANGE - Multi-surface cleaner

Model	List £	Packaging	Packaging Unit	Volume (litres)	Unit weight kg
CARLYCLEAN-F	£18.99	Aerosol	12	0.4	0.517
CARLYCLEAN-500	£15.03	Atomiser	15	0.5	0.56
CARLYCLEAN-5000	£51.56	Can	2	5	5.25
CARLYCLEAN-25000	£218.51	Can	1	25	26

CARLYCLEAN Range A multi-surface concentrated alkaline degreasing agent, used in particular for condensers, evaporators, coils, and fans, as well as cleaning surfaces in contact with food. Compatible with aluminium, copper, brass and totally eligible for food contact after rinsing with drinkable water. Over 70% biodegradable with citrus fruits scent. **CARLYCLEAN-F** is a finishing cleaner for all surfaces (plastics, metals ...) and food surfaces in indirect contact.



CARLYCLEAN-MC - Cleaner and degreaser for aluminium micro-channel exchangers

Model	List £	Packaging	Packaging Unit	Volume (litres)	Unit weight kg
CARLYCLEAN-MC-500	£16.99	Atomiser	15	0.5	0.58
CARLYCLEAN-MC-5000	£58.10	Can	2	5	5.18
CARLYCLEAN-MC-25000	£242.65	Can	1	25	26

CARLYCLEAN-MC A new, special cleaner and degreaser for aluminium micro-channel exchangers. Removes dust, pollen, grease and viscous deposits, neutral pH, and preserves the natural protective layer of aluminium oxide from exchangers. Non foaming, over 70% biodegradable

CARLYBIO RANGE - Refrigerating and air conditioning system decontaminants

Model	List £	Packaging	Packaging Unit	Volume (litres)	Unit weight kg
CARLYBIO-500	£16.09	Atomiser	15	0.5	0.5
CARLYBIO-5000	£100.03	Can	2	5	5.25
CARLYBIO-25000	£435.48	Can	1	25	26

CARLYBIO Range Is intended for disinfection of cooling systems - air conditioning, food environment surfaces (including cold rooms) and aerodynamic networks. Contains a very effective bactericide and fungicide which destroys microorganisms (Salmonella, Listeria, Legionella, Pneumophila ..) molds and fungi (Candida, Albicans, Aspergillus, Niger ...) in 15 minutes of contact. Stops the proliferation of bacteria, avoids the formation of bad odours and is easily biodegradable and ready to use. Lemon fragrance. Complies with standards EN 1276, EN 13697, NFT 17.150, NFT 72.170, NFT 72.301, EN 1650, NFT 72.200.



CARLYCLIM RANGE - Disinfectant deodorizer

Model	List £	Packaging	Packaging Unit	Volume (litres)	Unit weight kg
CARLYCLIM-150	£15.03	Aerosol	12	0.15	0.207
CARLYCLIM-400	£27.66	Aerosol	12	0.40	0.500

CARLYCLIM Range Is a surface disinfectant and deodorant with tangerine fragrance containing essential oils for immediate and lasting effects on air conditioning and heating systems, indoor A/C units, ventilation ducts, filters... Destroys bad odours and is a very effective bactericidal disinfectant (EN1040) and fungicide (EN1275) which prevents



MAINTENANCE PRODUCTS

CARLYPRO RANGE - Multi-surface cleaner

Model	List £	Packaging	Packaging Unit	Volume (litres)	Unit weight kg
CARLYPRO-F	£18.99	Aerosol	12	0.4	0.509
CARLYPRO-500	£16.59	Atomiser	15	0.5	0.56
CARLYPRO-5000	£113.14	Can	2	5	5.25
CARLYPRO-25000	£467.68	Can	1	25	26

CARLYPRO Range A multi-surface alkaline disinfectant and degreasing agent, intended for cooling and air conditioning systems (such as heat exchangers, fans, condensate tanks and filters), food environment surfaces and aerodynamic networks. Suitable for food contact after rinsing with drinkable water and over 90% biodegradable with a mint fragrance. Ready to use and complies with standards EN 1040, EN 13697, EN 1276, EN 1275.

CARLYPRO-F - finishing detergent-disinfectant for all surfaces (plastics, metals ..) including food surfaces in indirect



CARLYNET / CARLYCOAT / CARLYSTEEL

Model	List £	Packaging	Packaging Unit	Volume (litres)	Unit weight kg
CARLYNET	£24.57	Aerosol	12	0.4	0.412
CARLYCOAT	£18.55	Aerosol	12	0.4	0.444
CARLYSTEEL 150	£10.60	Aerosol	12	0.2	0.2
CARLYSTEEL 400	£13.34	Aerosol	12	0.4	0.45

CARLYNET Is a degreasing solvent for the cold cleaning of air condensers.
CARLYCOAT Is an anti-corrosion product for heat exchangers coils formulated to fight against hostile surrounding agent.
CARLYSTEEL Lubricant and anti-seize to get into blocked or corroded elements in order to make



TESTOIL RANGE - Acidity tests for refrigerant oils

Model	List £	Acid test for additive oils	Unit weight kg	Packaging
TESTOIL-MAS	£11.27	mineral, alkylbenzene and polyvinylether	0.071	1 bottle of 30 ml
TESTOIL-POE	£16.27	polyol-ester	0.071	1 bottle of 30 ml
TESTOIL-MP	£25.01	mineral, alkylbenzene, polyvinylether polyol-ester	0.14	2 bottles of 30 ml
TESTOIL-3P-CO ²	£26.41	polyol-ester, polyalkyleneglycol, polyalphaolefin	0.07	1 bottle of 30 ml

TESTOIL Range Acidity tests for refrigerant oils ensure monitoring of the additive mineral, alkylbenzene and polyol-ester oil acidity in refrigerating and air conditioning installations. TESTOILS are solvent based flammable chemical solutions, coming from natural products (they do not contain benzene, xylene or toluene).

- > **TESTOIL-MAS** is compatible with no additive mineral, alkylbenzene and polyvinylether oils.
- > **TESTOIL-POE** is compatible with additive polyol-ester oils.
- > **TESTOIL-3P-CO²** is compatible with the oils used in CO² installations (POE, PAG, PAO)



MAINTENANCE PRODUCTS

STOPACID RANGE - Acid neutralisers for refrigerant oils

Model	List £	Acid neutraliser	Unit weight kg	Packaging
STOPACID-MAS	£28.10	mineral and alkybenzene	0.071	1 bottle of 30 ml
STOPACID-POE	£52.85	polyol-ester	0.071	1 bottle of 30 ml

STOPACID Range Acid neutralisers for refrigerant oils. The chemical development of acids and moisture inside of refrigerating and air conditioning installations can have important consequences on the operation of installations: compressor burnout, seizing of metallic parts, metal corrosion etc. In order to protect the equipment from these undesirable chemical attacks, CARLY offers:

- > **STOPACID-MAS** An acid neutraliser for synthetic alkybenzene and mineral oils.
- > **STOPACID POE.** An acid neutraliser fo polyol-ester oils.



DETECTOIL-POE - Identification test

Model	List £	Identification test for oils	Unit weight kg	Packaging
DETECTOIL-POE	£35.03	polyol-ester	0.071	1 bottle of 30 ml

DETECTOIL Identification test for polyol-ester oils. Allows for immediate identification of the type of oil used: mineral, alkybenzene or polyester on refrigerating and air conditioning units.



CARLYCOOL - Calories discharger

Model	List £	Volume (litres)
CARLYCOOL	£24.48	0.6

CARLYCOOL Calories discharger for maximum protection of heat sensitive equipment during brazing or soldering operations



POMPE 5000 - Accessories for maintenance products

Model	List £	Volume (litres)
POMPE-5000	£149.26	5

POMPE 5000 Pump spray for maintenance products for easier use of CARYLCLEAN detergent, of CARLYBIO decontaminant and of CARLPRO detergent decontaminant.

